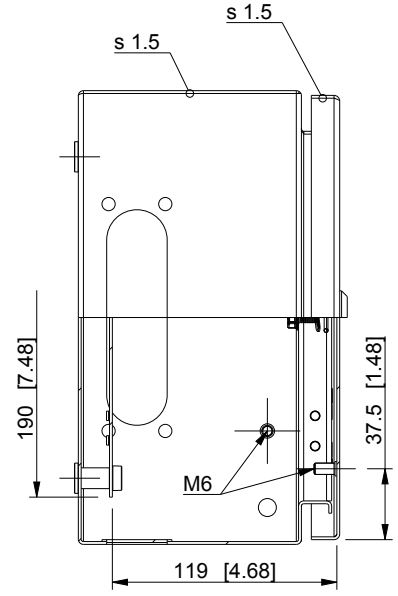
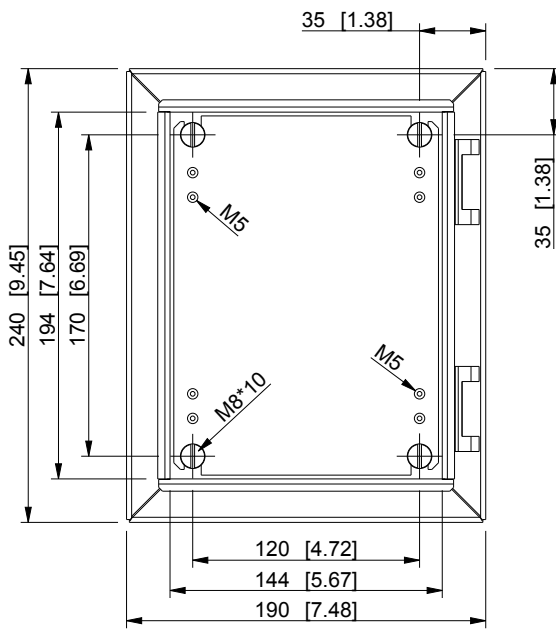
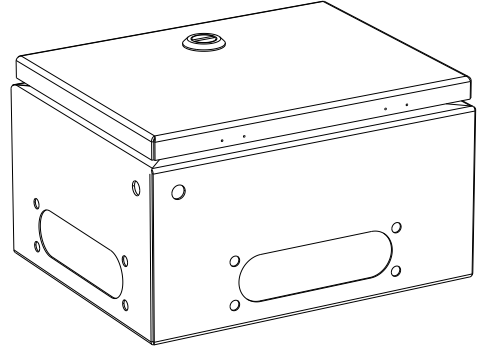
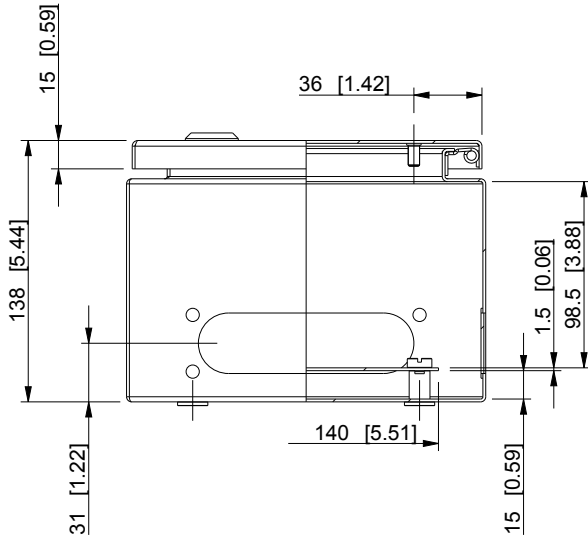


ID	Description	Date	By	Appr.
A				



Knock outs: all sides, type 1(B/FL 13)

Dimensions in mm [inches]

Material: Mild steel, polyester painted	Color: RAL 7035
---	-----------------

Supplier:	Tool No:	Weight [kg]: 3.19	Volume:
-----------	----------	-------------------	---------

CASEMET
Casemet Oy

EOK192414A

Scale	Date	10.06.16
1:4	By	VLe
-	Checked	
-	Ctrl	

Replaces:	
Replaced:	
Drw No:	A
Ref:	Cubo EO
Code:	EOK192414A
Sheet No:	

model EOK192414A PART
drawing EO DRAWING