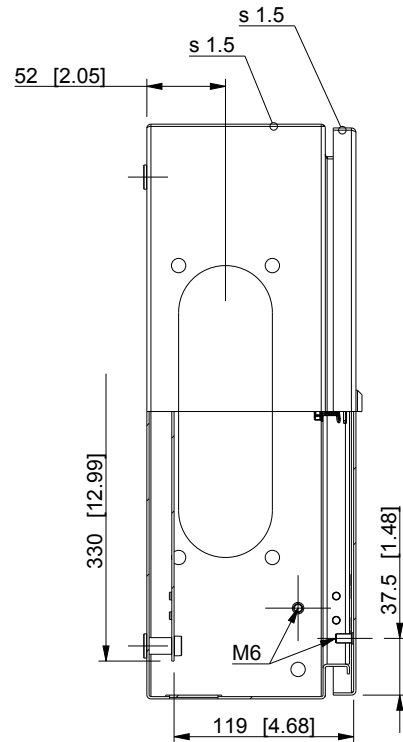
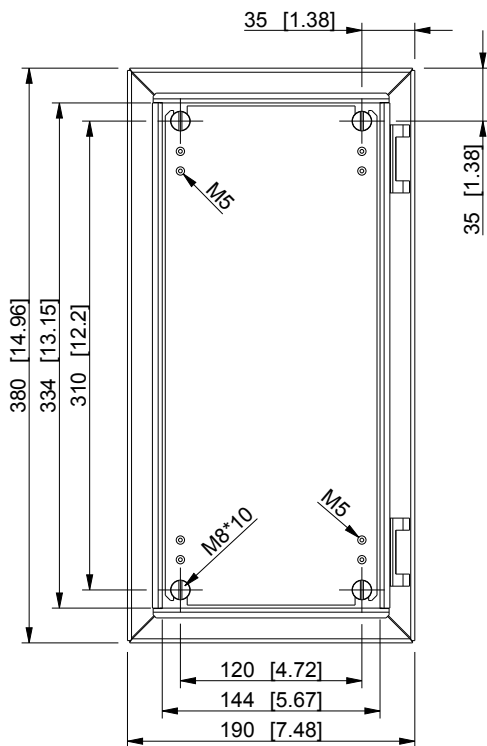
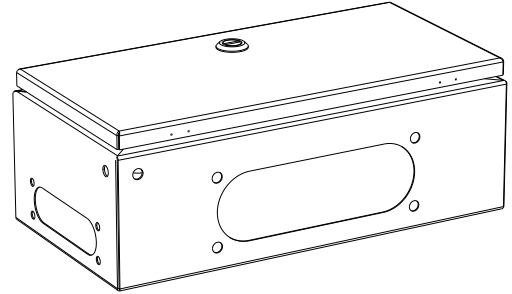
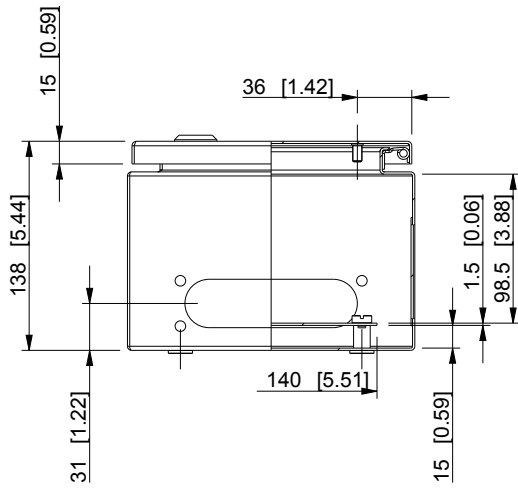


ID	Description	Date	By	Appr.
A				



Knock outs: short side, type 1(B/FL 13)
long side, type 2(C/FL 21)

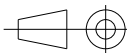
Dimensions in mm [inches]

Material: Mild steel, polyester painted	Color: RAL 7035
---	-----------------

Supplier:	Tool No:	Weight [kg]: 4.59	Volume:
-----------	----------	-------------------	---------



Casemet Oy



EOM193814A

Scale	Date	10.06.16
-------	------	----------

1:5	By	VLe
-----	----	-----

-	Checked	
---	---------	--

-	Ctrl	
---	------	--

Replaces:

Replaced:

Drw No: A

Ref: Cubo EO

Code: EOM193814A

Sheet No:

model EOM193814A PART

drawing EO_1 DRAWING