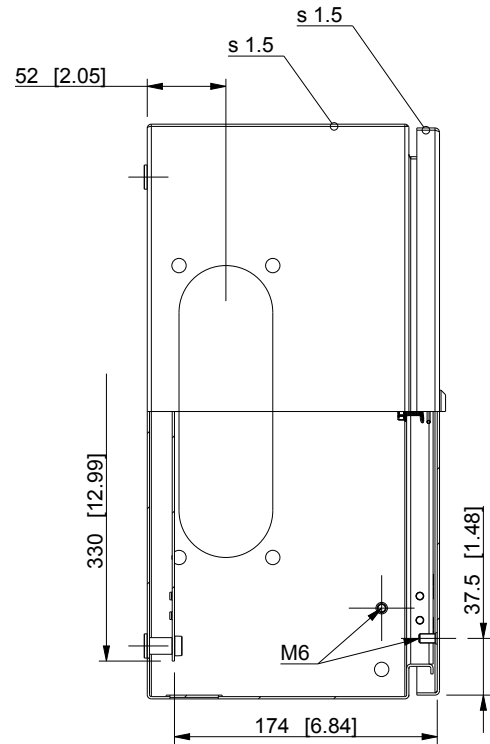
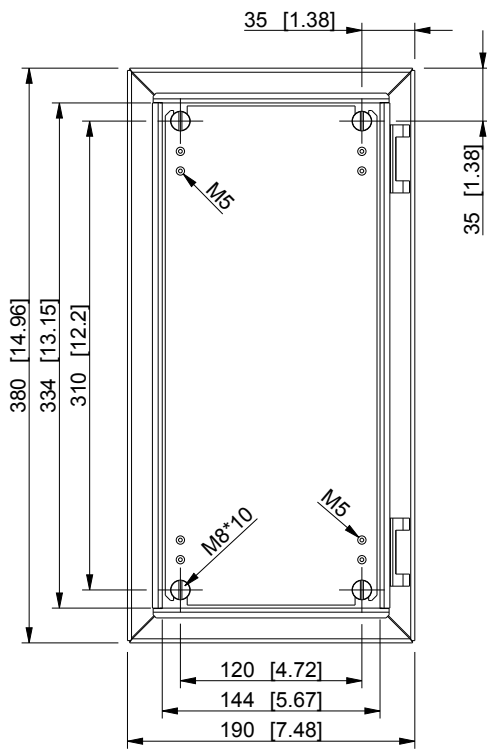
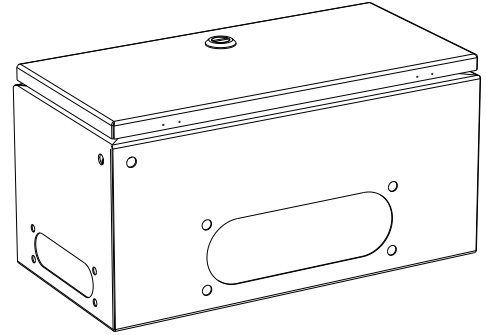
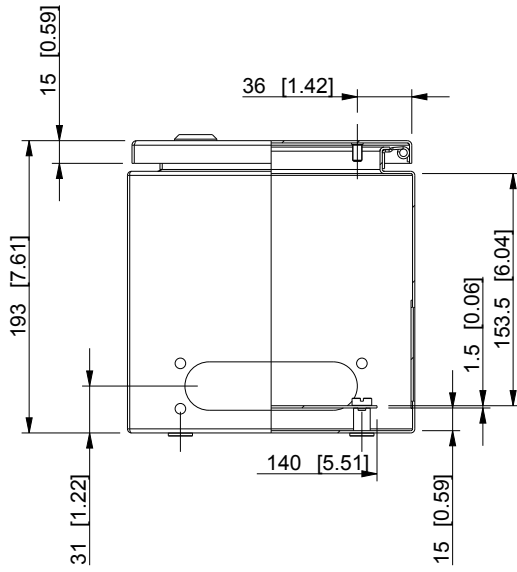


ID	Description	Date	By	Appr.
A				



Knock outs: short side, type 1(B/FL 13)
long side, type 2(C/FL 21)

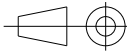
Dimensions in mm [inches]

Material: Mild steel, polyester painted	Color: RAL 7035
---	-----------------

Supplier:	Tool No:	Weight [kg]: 5.34	Volume:
-----------	----------	-------------------	---------

CASEMET

Casemet Oy



EOM193819A

Scale	Date	10.06.16
1:5	By	VLe
-	Checked	
-	Ctrl	

Replaces:	
Replaced:	
Drw No:	A
Ref:	Cubo EO
Code:	EOM193819A
Sheet No:	

model EOM193819A PART
drawing EO_1 DRAWING