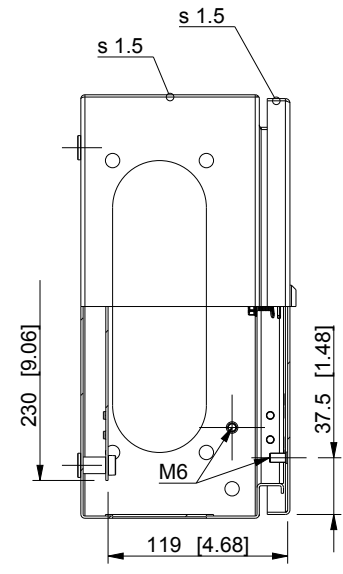
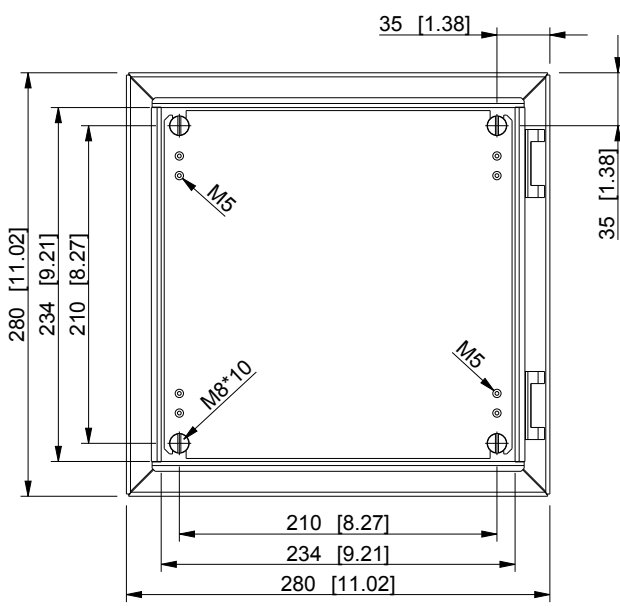
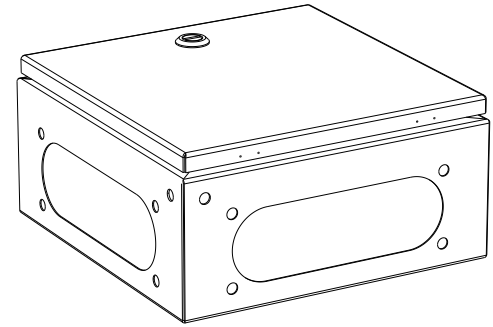
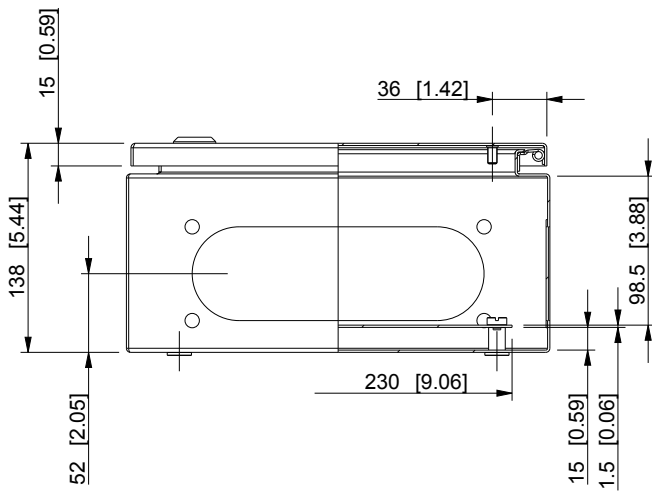


ID	Description	Date	By	Appr.
A				



Knock outs: all sides, type 2(C/FL 21)

Dimensions in mm [inches]

Material: Mild steel, polyester painted	Color: RAL 7035
-----------------------------------------	-----------------

Supplier:	Tool No:	Weight [kg]: 4.80	Volume:
-----------	----------	-------------------	---------

CASEMET
Casemet Oy

EOO282814A

Scale	Date	10.06.16
1:5	By	VLe
-	Checked	
-	Ctrl	

Replaces:	
Replaced:	
Drw No:	A
Ref:	Cubo EO
Code:	EOO282814A
Sheet No:	

model EOO282814A PART
drawing EO_2 DRAWING