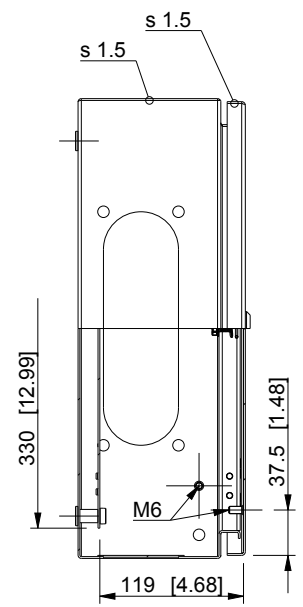
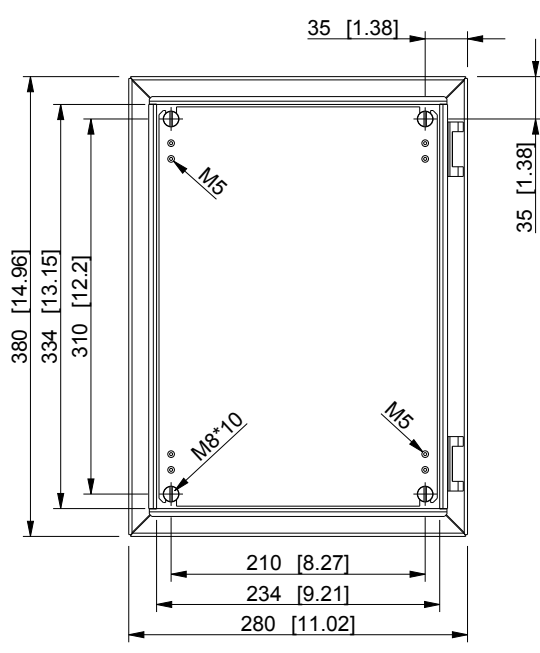
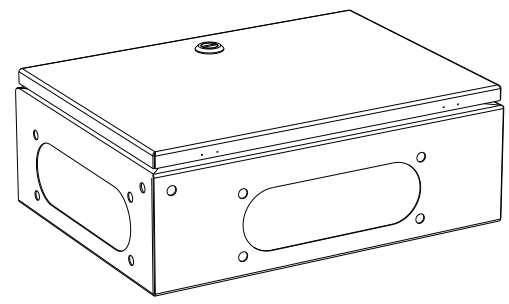
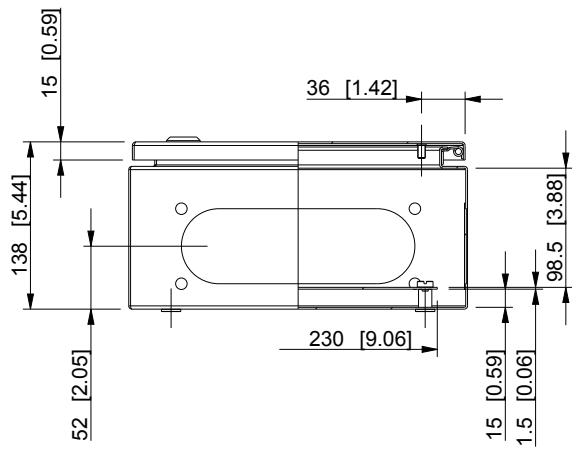


ID	Description	Date	By	Appr.
A				



Knock outs: all sides, type 2(C/FL 21)

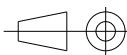
Dimensions in mm [inches]

Material: Mild steel, polyester painted	Color: RAL 7035
---	-----------------

Supplier:	Tool No:	Weight [kg]: 6.10	Volume:
-----------	----------	-------------------	---------

CASEMET

Casemet Oy



EOP283814A

Scale	Date	10.06.16
-------	------	----------

1:6	By	VLe
-----	----	-----

-	Checked	
---	---------	--

-	Ctrl	
---	------	--

Replaces:

Replaced:

Drw No: A

Ref: Cubo EO

Code: EOP283814A

Sheet No:

model EOP283814A PART

drawing EO_2 DRAWING