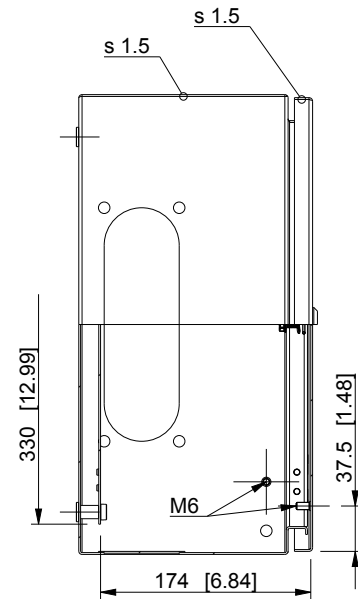
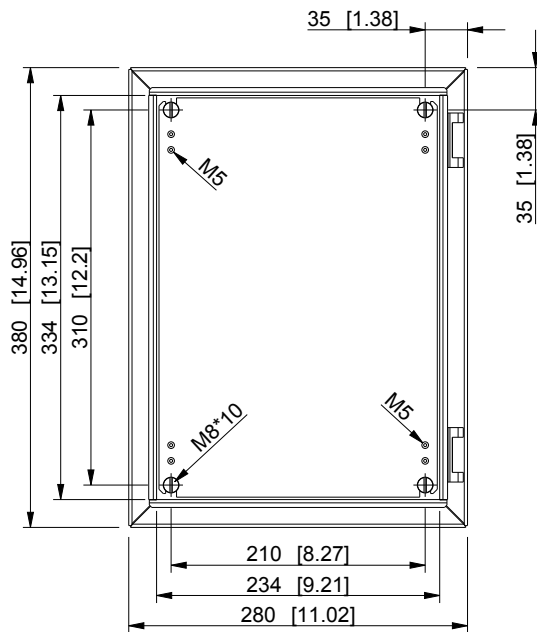
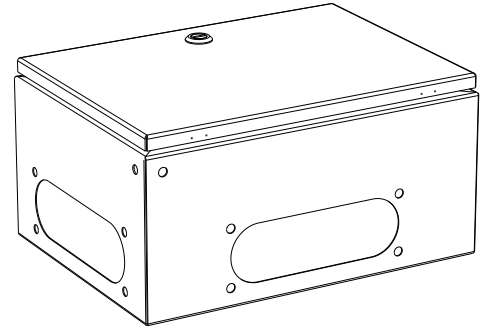
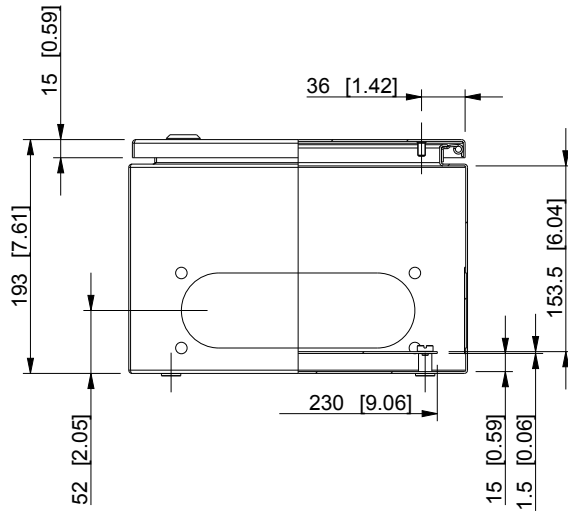


ID	Description	Date	By	Appr.
A				



Knock outs: all sides, type 2(C/FL 21)

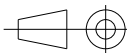
Dimensions in mm [inches]

Material: Mild steel, polyester painted	Color: RAL 7035
---	-----------------

Supplier:	Tool No:	Weight [kg]: 6.96	Volume:
-----------	----------	-------------------	---------

CASEMET

Casemet Oy



EOP283819A

Scale: 1:6 Date: 10.06.16

By: VLe

Checked:

Ctrl:

Replaces:

Replaced:

Drw No: A

Ref: Cubo EO

Code: EOP283819A

Sheet No:

model EOP283819A PART

drawing EO_2 DRAWING