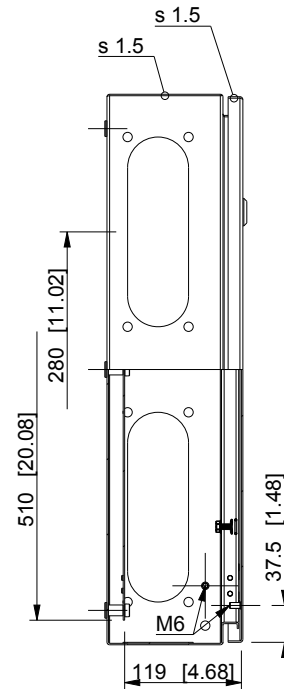
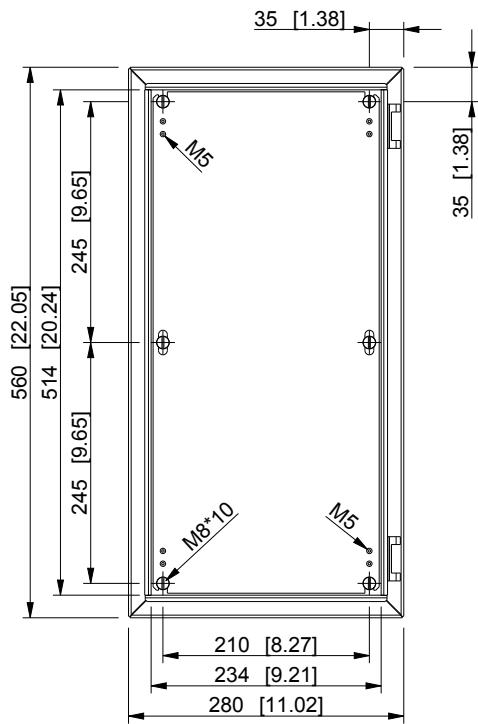
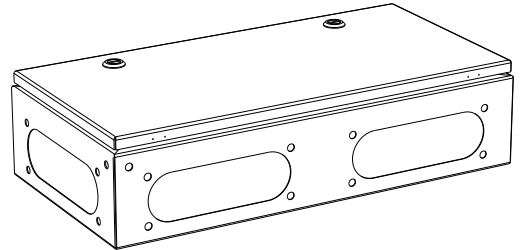
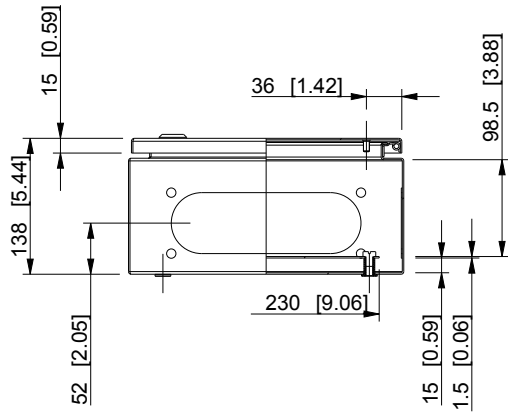


ID	Description	Date	By	Appr.
A				



Knock outs: all sides, type 2(C/FL 21)

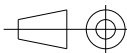
Dimensions in mm [inches]

Material: Mild steel, polyester painted	Color: RAL 7035
---	-----------------

Supplier:	Tool No:	Weight [kg]: 8.59	Volume:
-----------	----------	-------------------	---------



Casemet Oy



EOT285614A

Scale	Date	10.06.16
2:15	By	VLe
-	Checked	
-	Ctrl	

Replaces:	
Replaced:	
Drw No:	A
Ref:	Cubo EO
Code:	EOT285614A
Sheet No:	

model EOT285614A PART

drawing EO_3 DRAWING