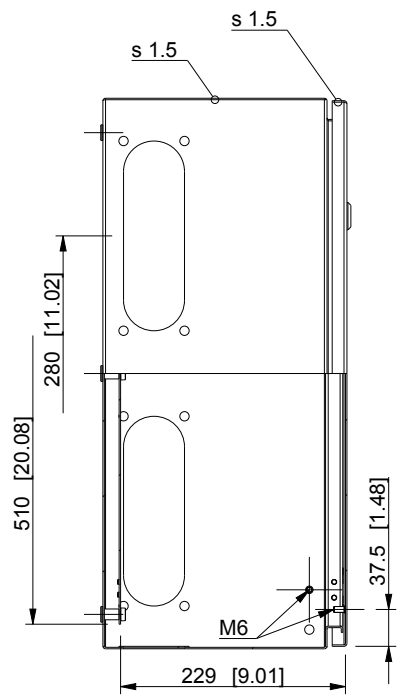
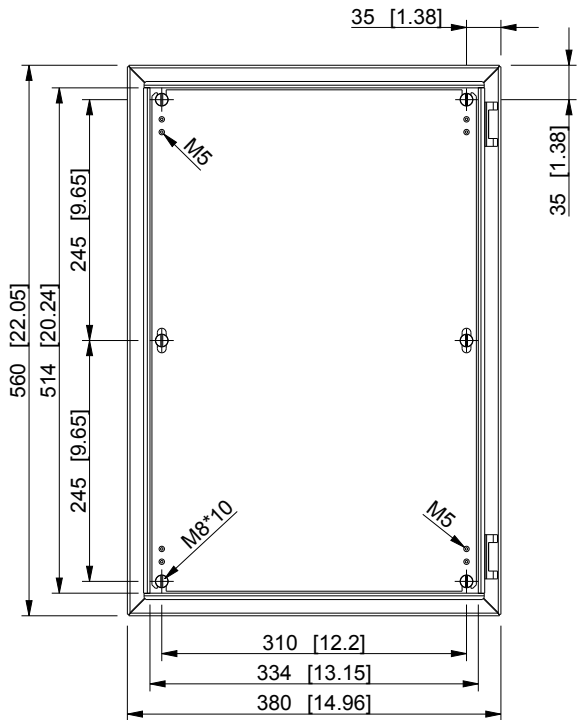
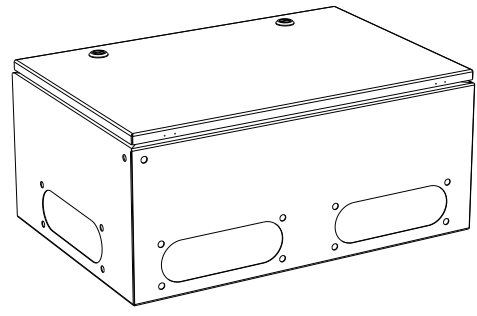
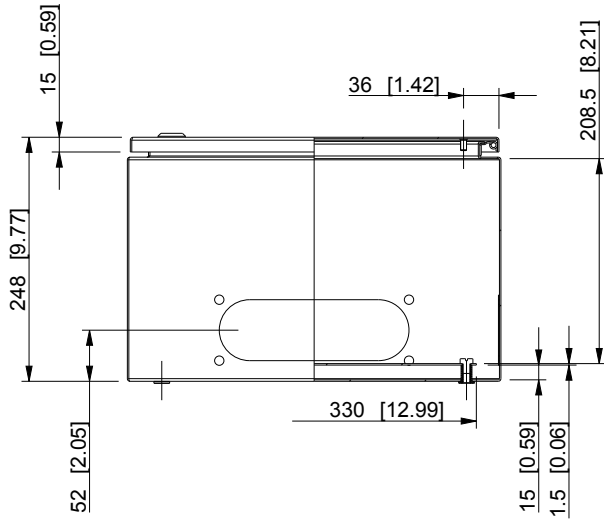


ID	Description	Date	By	Appr.
A				



Knock outs: all sides, type 2(C/FL 21)

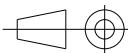
Dimensions in mm [inches]

Material: Mild steel, polyester painted	Color: RAL 7035
---	-----------------

Supplier:	Tool No:	Weight [kg]: 13.32	Volume:
-----------	----------	--------------------	---------



Casemet Oy



EOU385625A

Scale	Date	10.06.16
2:15	By	VLe
-	Checked	
-	Ctrl	

Replaces:	
Replaced:	
Drw No:	A
Ref:	Cubo EO
Code:	EOU385625A
Sheet No:	

model EOU385625A PART  
 drawing EO\_3 DRAWING