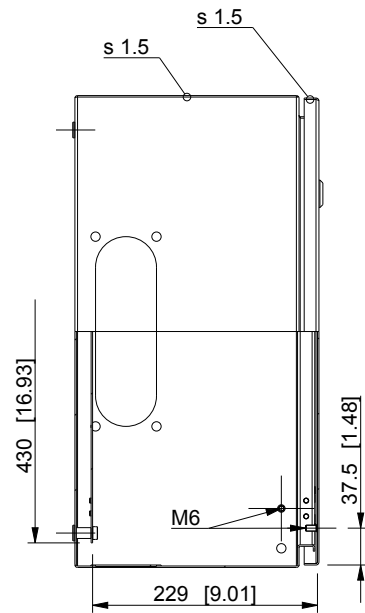
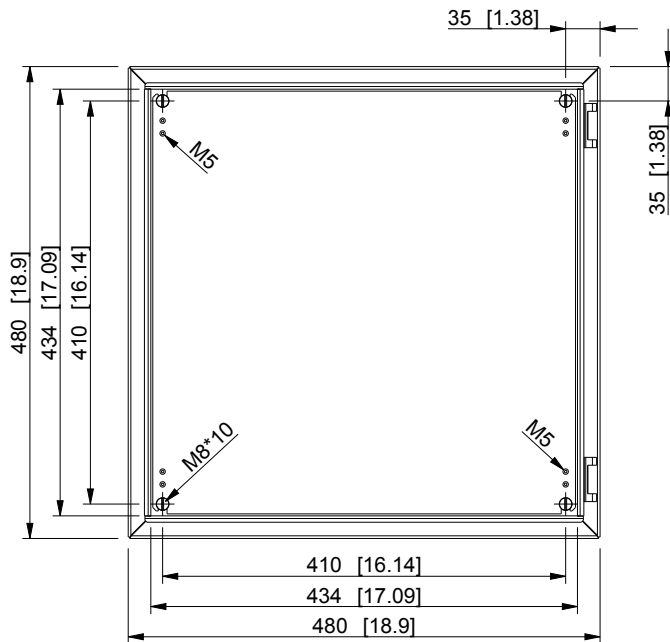
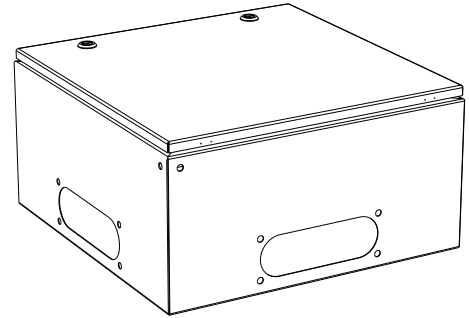
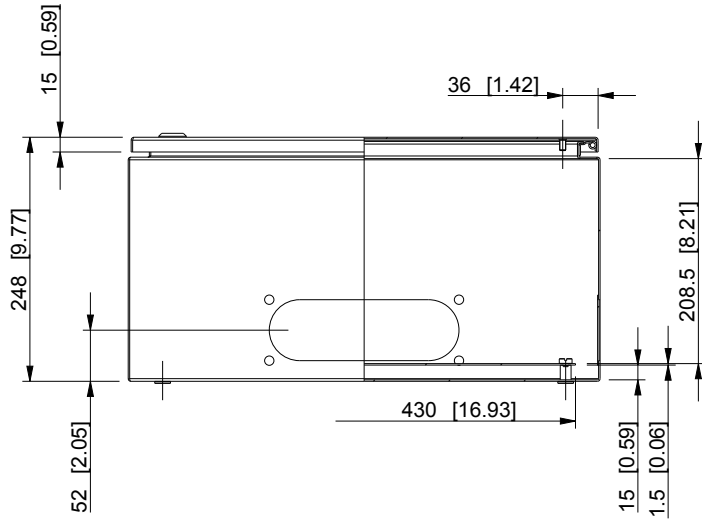


ID	Description	Date	By	Appr.
A				



Knock outs: all sides, type 2(C/FL 21)

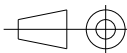
Dimensions in mm [inches]

Material: Mild steel, polyester painted	Color: RAL 7035
---	-----------------

Supplier:	Tool No:	Weight [kg]: 14.03	Volume:
-----------	----------	--------------------	---------

**CASEMET**

Casemet Oy



**EOY484825A**

Scale	Date	10.06.16
-------	------	----------

2:15	By	VLe
------	----	-----

-	Checked	
---	---------	--

-	Ctrl	
---	------	--

Replaces:

Replaced:

Drw No: A

Ref: Cubo EO

Code: EOY484825A

Sheet No:

model EOY484825A PART

drawing EO\_2 DRAWING