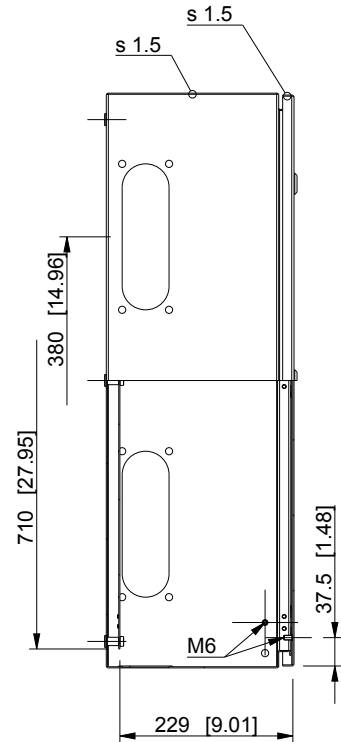
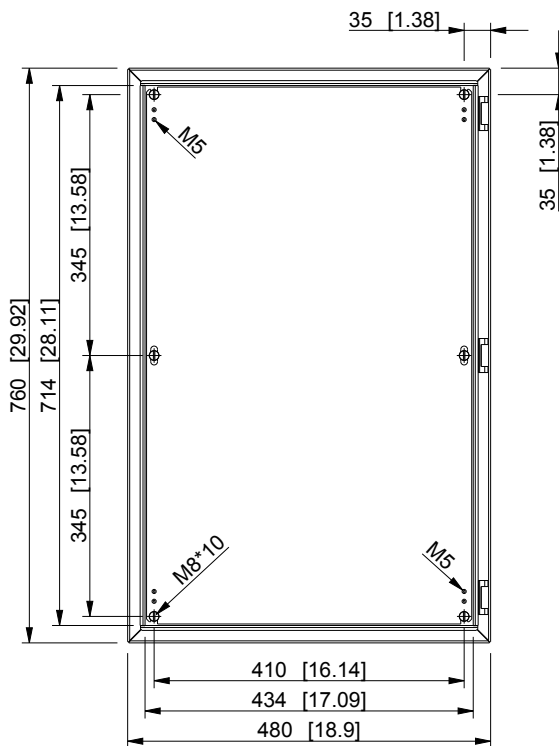
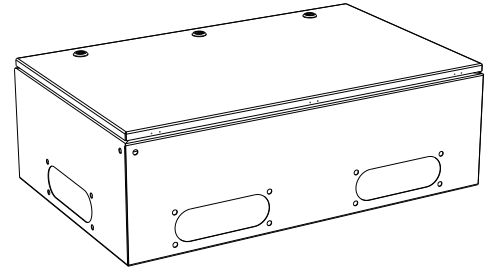
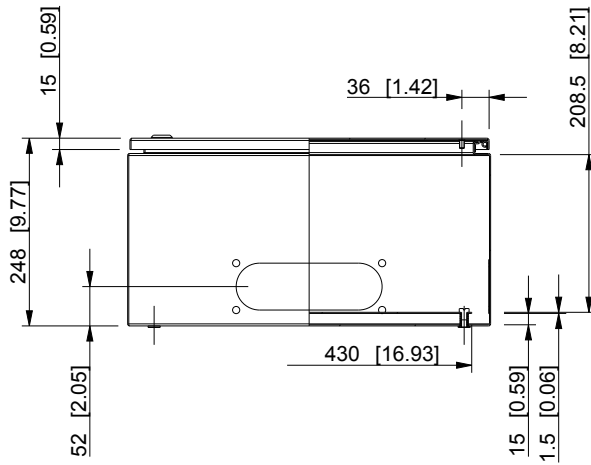


ID	Description	Date	By	Appr.
A				



Knock outs: all sides, type 2(C/FL 21)

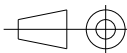
Dimensions in mm [inches]

Material: Mild steel, polyester painted	Color: RAL 7035
---	-----------------

Supplier:	Tool No:	Weight [kg]: 20.57	Volume:
-----------	----------	--------------------	---------

**CASEMET**

Casemet Oy



**EOZ487625A**

Scale: 1:10 Date: 10.06.16

By: VLe

Checked:

Ctrl:

Replaces:

Replaced:

Drw No: A

Ref: Cubo EO

Code: EOZ487625A

Sheet No:

model EOZ487625A PART

drawing EO\_4 DRAWING