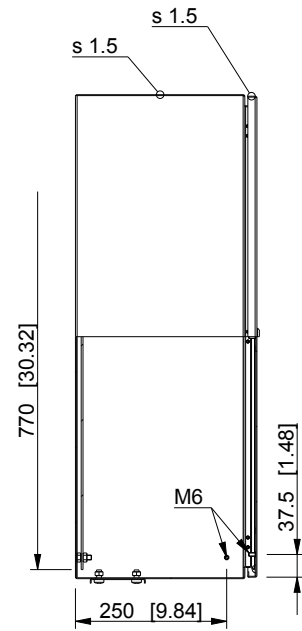
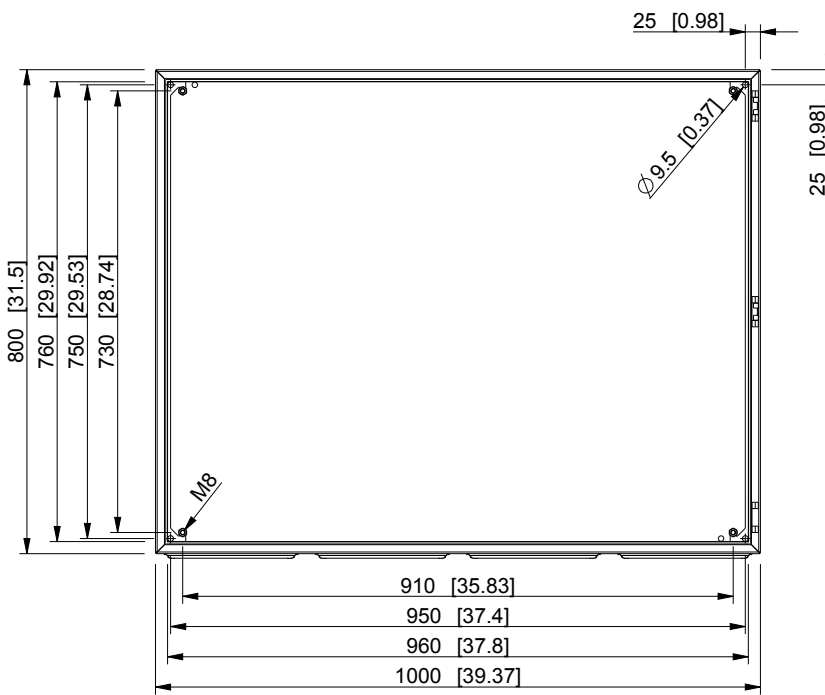
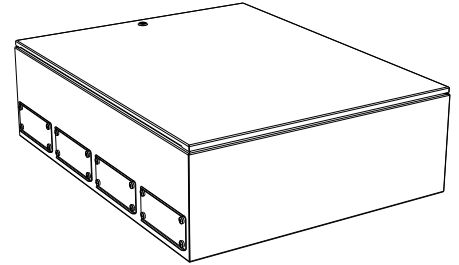
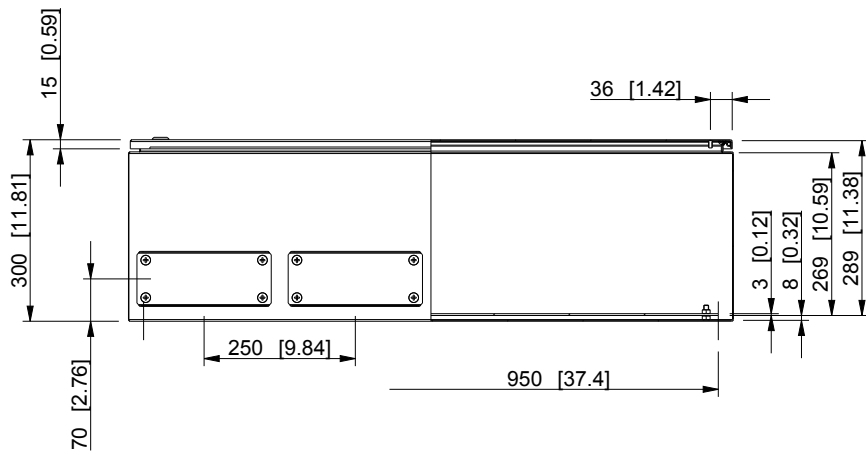


ID	Description	Date	By	Appr.
A				



Flange opening, type 2 (C/FL21)

Dimensions in mm [inches]

Material: Mild steel, polyester painted	Color: RAL 7035
---	-----------------

Supplier: -	Tool No: -	Weight [kg]: 50.84	Volume: -
-------------	------------	--------------------	-----------

model EFEF1008030A PART drawing EFEF_4_F.DRAWING			EFEF1008030A	Replaces:	
	Casemet Oy			Replaced:	
	Scale	Date		Drw No:	A
	1:12	07.07.16		Ref:	Cubo E
	-	By		Code:	EFEF1008030A
-	Checked	Sheet No:			
-	Ctrl				