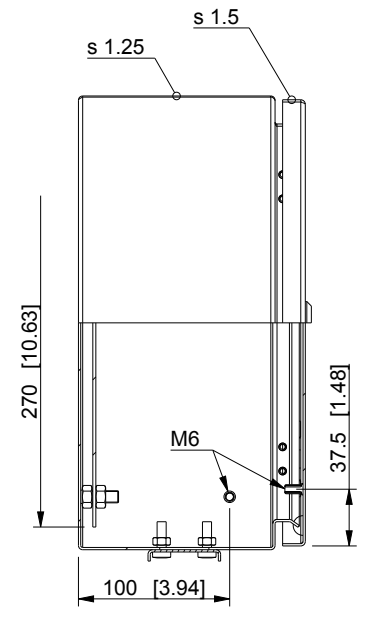
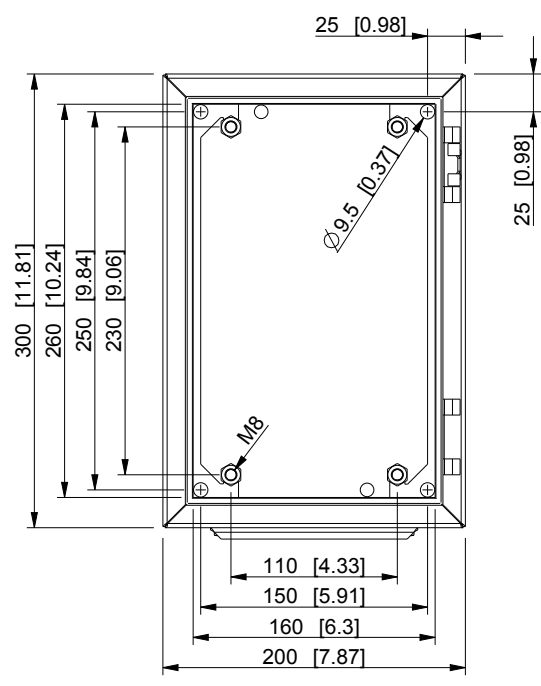
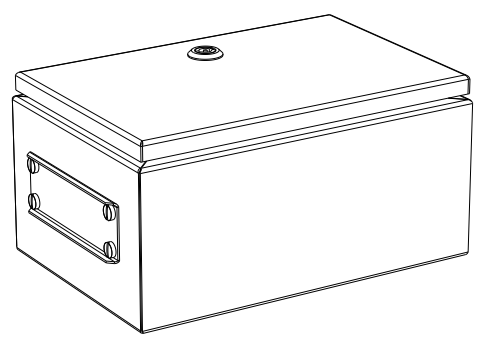
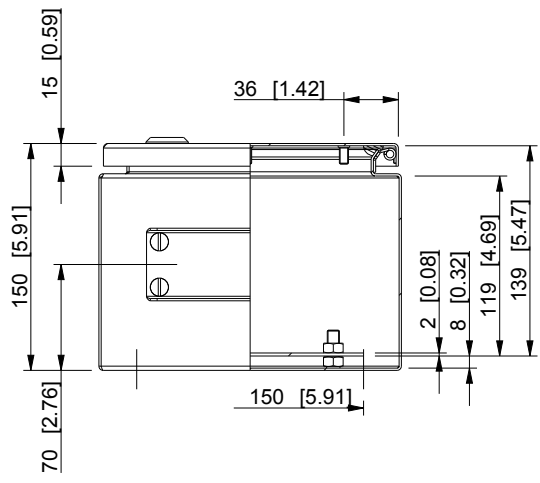


ID	Description	Date	By	Appr.
A				



Flange opening, type 1 (B/FL13)

Dimensions in mm [inches]

Material: Mild steel, polyester painted	Color: RAL 7035
---	-----------------

Supplier: -	Tool No: -	Weight [kg]: 4.28	Volume: -
-------------	------------	-------------------	-----------

CASEMET
Casemet Oy

EFEF203015A

Scale	Date	07.07.16
1:5	By	PLe
-	Checked	
-	Ctrl	

Replaces:	
Replaced:	
Drw No:	A
Ref:	Cubo E
Code:	EFEF203015A
Sheet No:	

model EFEF203015A PART
drawing EFEF DRAWING