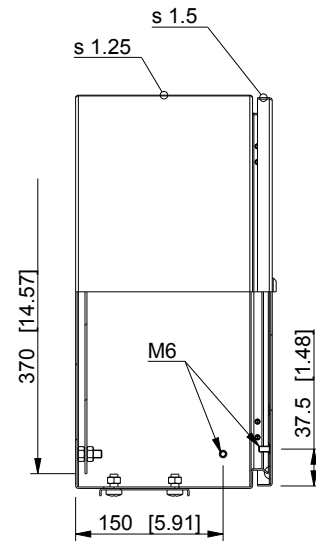
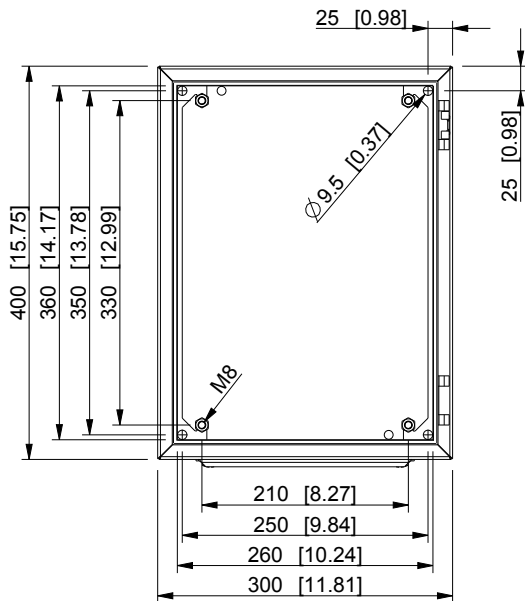
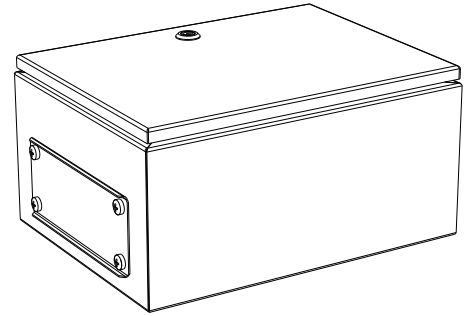
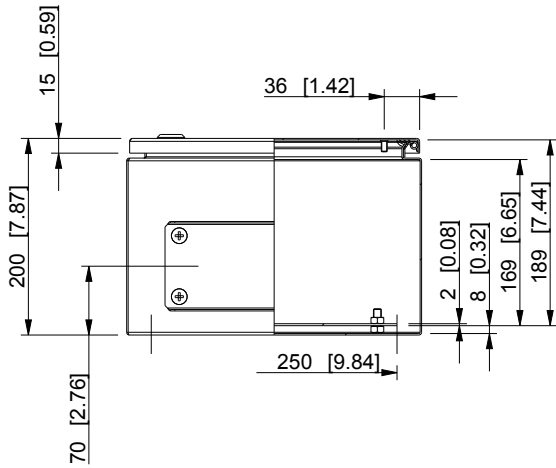


ID	Description	Date	By	Appr.
A				



Flange opening, type 2 (C/FL21)

Dimensions in mm [inches]

Material: Mild steel, polyester painted	Color: RAL 7035
---	-----------------

Supplier: -	Tool No: -	Weight [kg]: 8.25	Volume: -
-------------	------------	-------------------	-----------

<b>CASEMET</b>				
Casemet Oy		<b>EFEF304020A</b>		
Scale	Date			07.07.16
2:15	By			PLe
-	Checked			
-	Ctrl			

Replaces:	
Replaced:	
Drw No:	A
Ref:	Cubo E
Code:	EFEF304020A
Sheet No:	

model EFEF304020A PART  
 drawing EFEF\_1 DRAWING