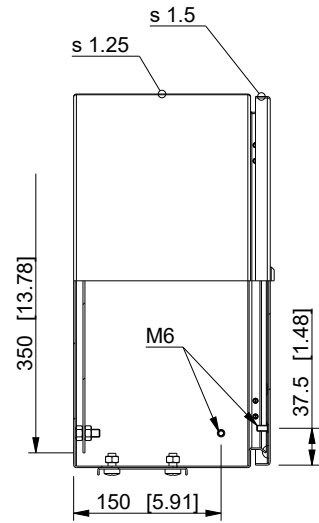
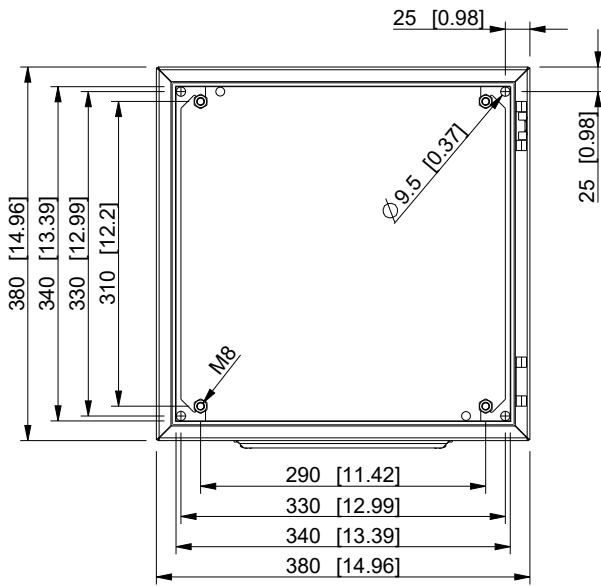
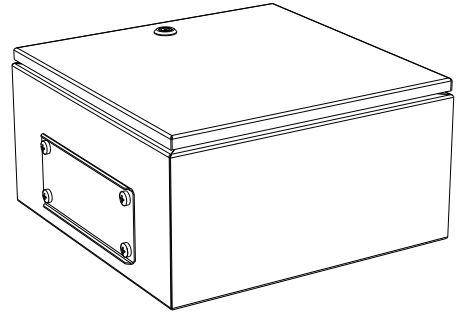
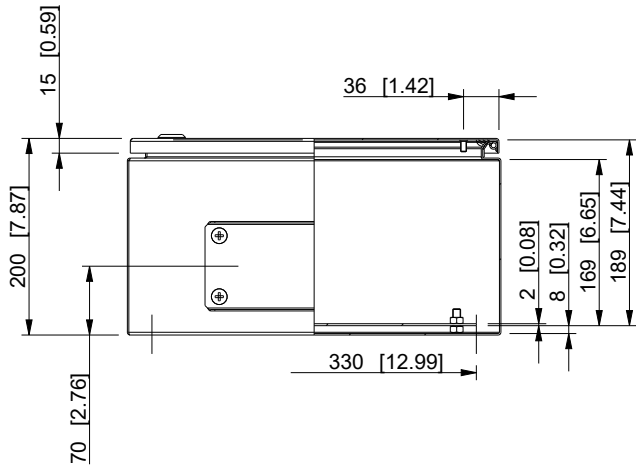


ID	Description	Date	By	Appr.
A				


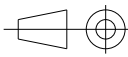


Flange opening, type 2 (C/FL21)

Dimensions in mm [inches]

Material: Mild steel, polyester painted	Color: RAL7035
---	----------------

Supplier: -	Tool No: -	Weight [kg]: 9.50	Volume: 0
-------------	------------	-------------------	-----------

model EFEF383820A PART drawing EFEF_1 DRAWING	 <b>Casemet Oy</b>		 <b>EFEF383820A</b>	Replaces:
	Scale	Date		Replaced:
	2:15	17.12.17		Drw No: A
	-	By PLe		Ref: Cubo E
	-	Checked		Code: EFEF383820A
	Ctrl	Sheet No:		