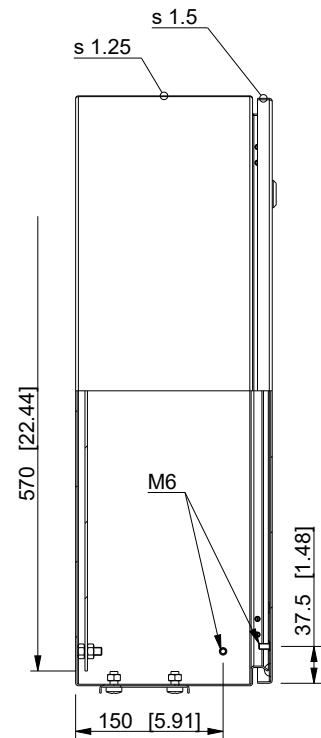
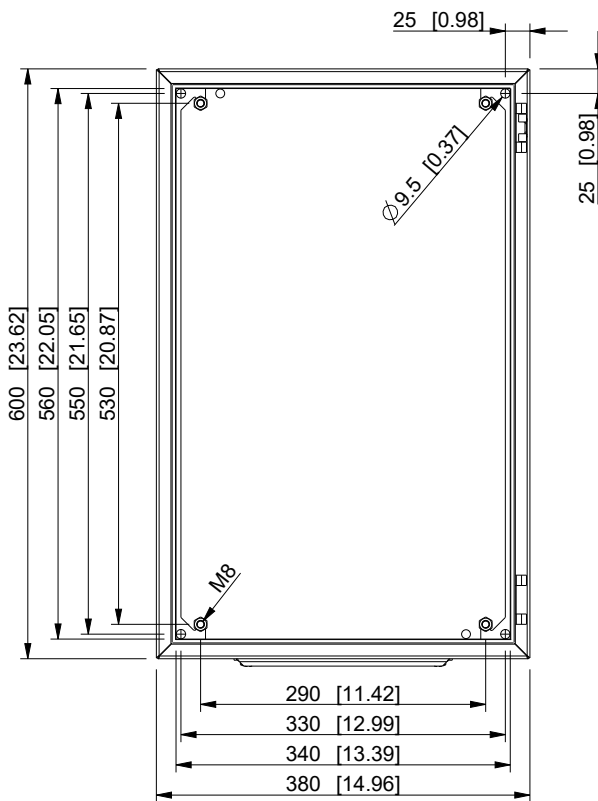
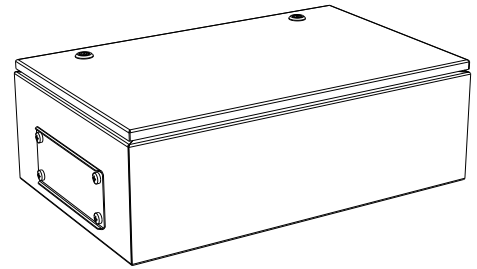
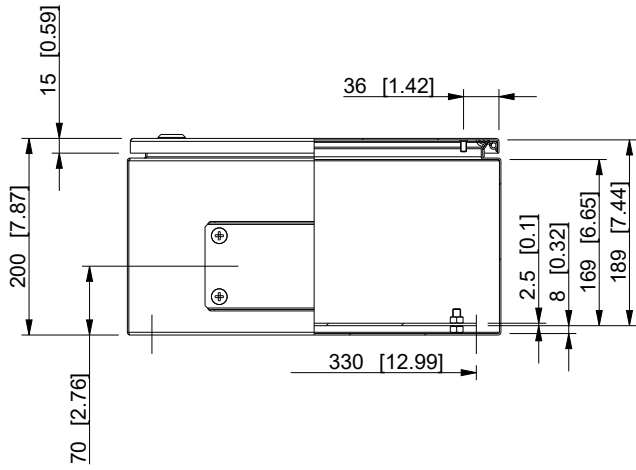


ID	Description	Date	By	Appr.
A				



Flange opening, type 2 (C/FL21)

Dimensions in mm [inches]

Material: Mild steel, polyester painted	Color: RAL7035
---	----------------

Supplier: -	Tool No: -	Weight [kg]: 11.56	Volume: 0
-------------	------------	--------------------	-----------

model EFEF386020A PART drawing EFEF_1.drawing			<h1>EFEF386020A</h1>	Replaces:	
	Casemet Oy			Replaced:	
	Scale	Date		Drw No:	A
	2:15	17.12.17		Ref:	Cubo E
	-	By		Checked	Code:
-	PLe	Ctrl	Sheet No:		