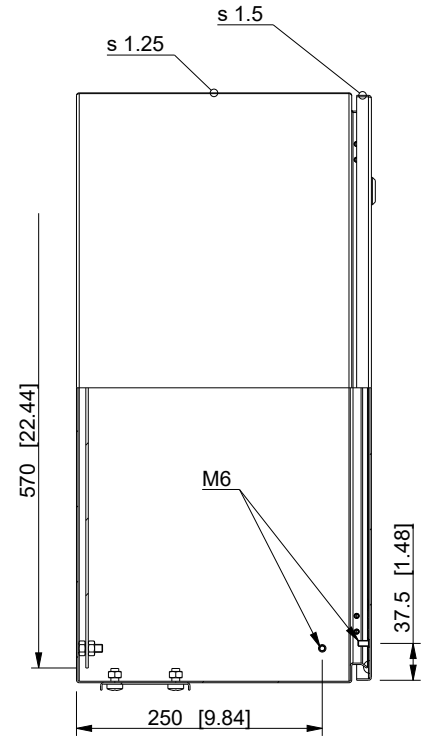
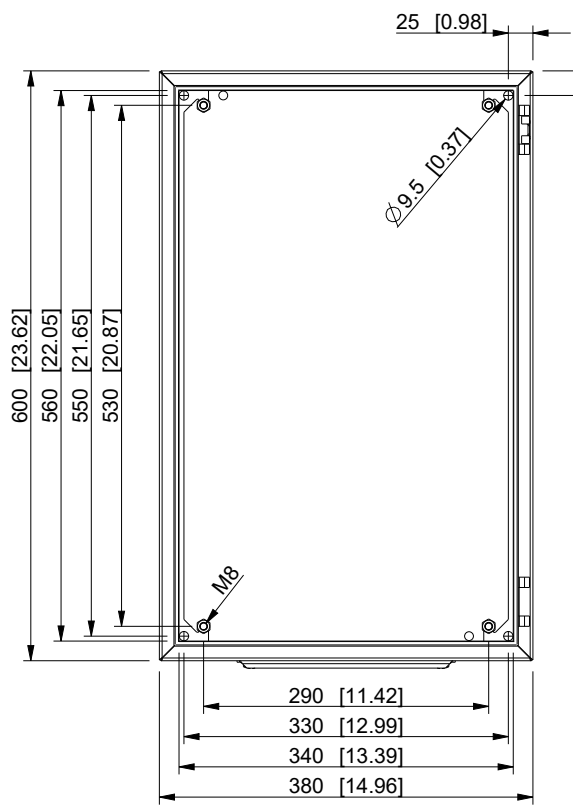
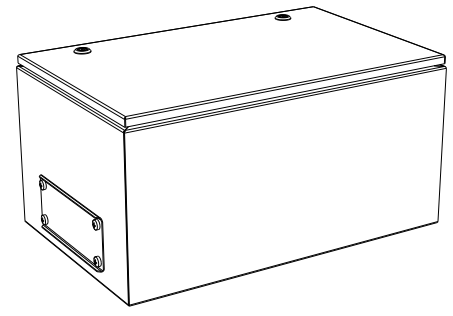
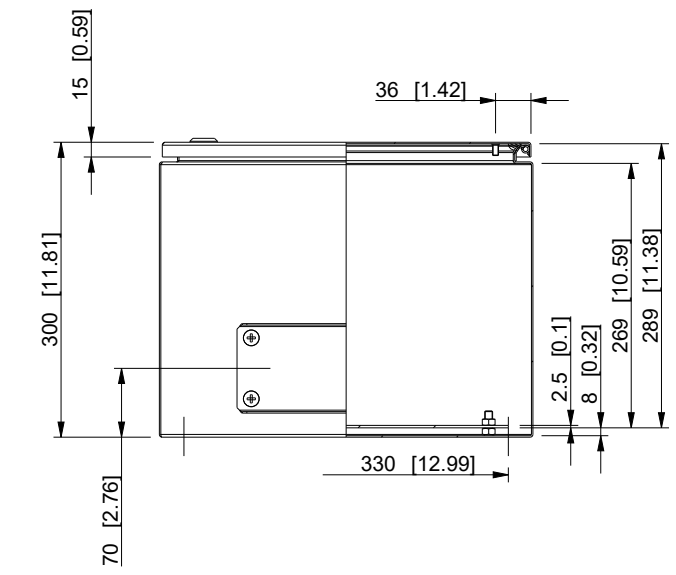


ID	Description	Date	By	Appr.
A				



Flange opening, type 2 (C/FL21)

Dimensions in mm [inches]

Material: Mild steel, polyester painted	Color: RAL7035
---	----------------

Supplier: -	Tool No: -	Weight [kg]: 13.86	Volume: 0
-------------	------------	--------------------	-----------

CASEMET		
Casemet Oy		
Scale	Date	17.12.17
2:15	By	PLe
-	Checked	
-	Ctrl	

EFEF386030A	
Replaces:	
Replaced:	
Drw No:	A
Ref:	Cubo E
Code:	EFEF386030A
Sheet No:	

model EF386030A PART
 drawing EF386030A PART 1 DRAWING