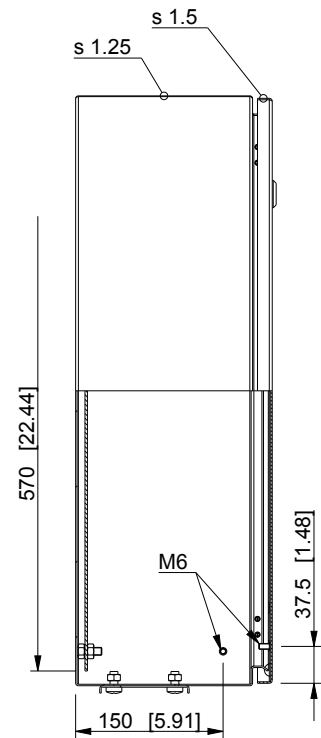
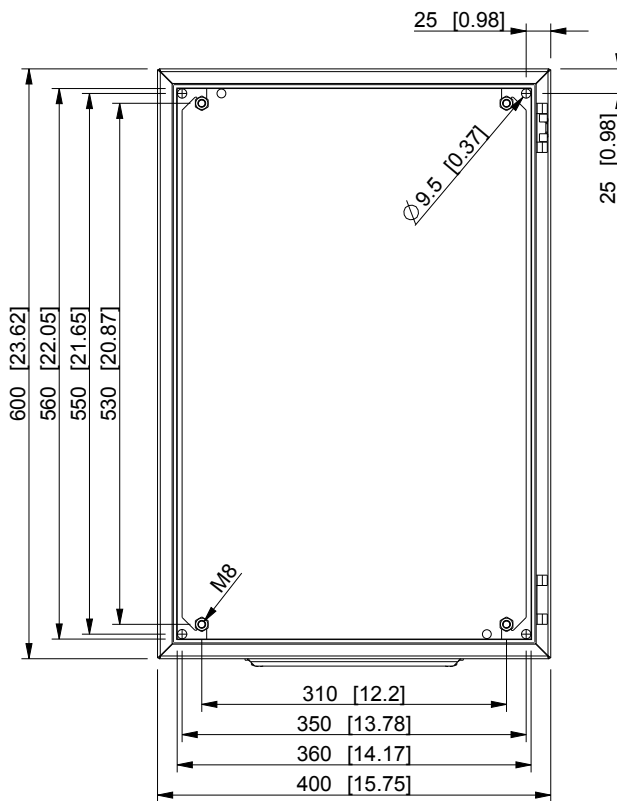
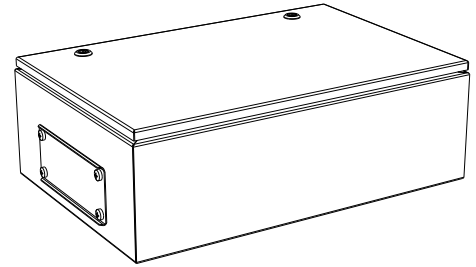
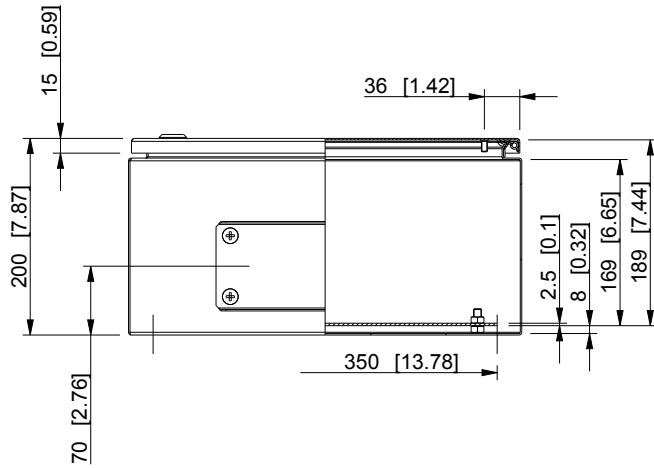


| ID | Description | Date | By | Appr. |
|----|-------------|------|----|-------|
| A | | | | |



Flange opening, type 2 (C/FL21)

Dimensions in mm [inches]

| | |
|---|-----------------|
| Material: Mild steel, polyester painted | Color: RAL 7035 |
|---|-----------------|

| | | | |
|-------------|------------|--------------------|-----------|
| Supplier: - | Tool No: - | Weight [kg]: 15.18 | Volume: - |
|-------------|------------|--------------------|-----------|

| | | | | | |
|--|-------|---------|----------------------|-----------|-------------------|
| model EFEF406020A PART drawing EFEF_1 DRAWING | | | <h1>EFEF406020A</h1> | Replaces: | |
| | | | | Replaced: | |
| | Scale | Date | | 07.07.16 | Drw No: A |
| | 2:15 | By | | PLe | Ref: Cubo E |
| | - | Checked | | | Code: EFEF406020A |
| | - | Ctrl | | | Sheet No: |