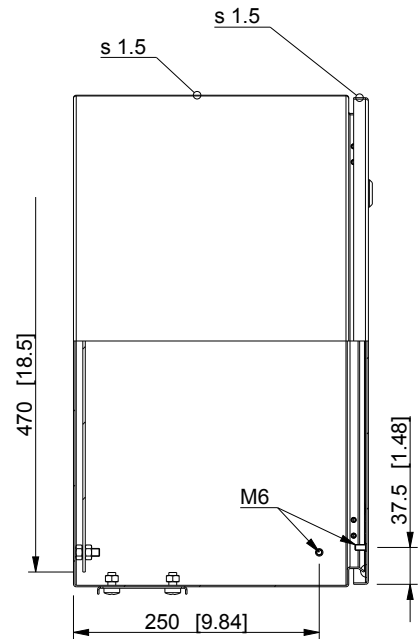
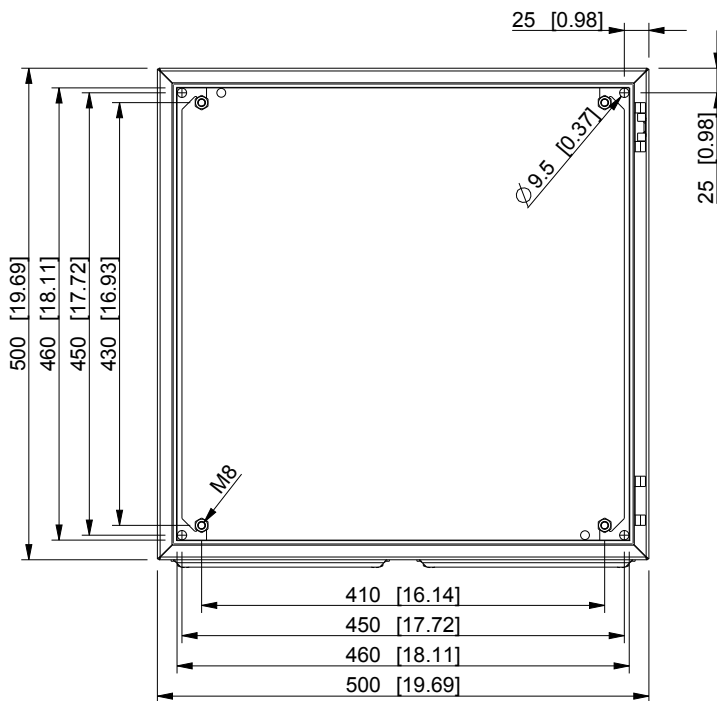
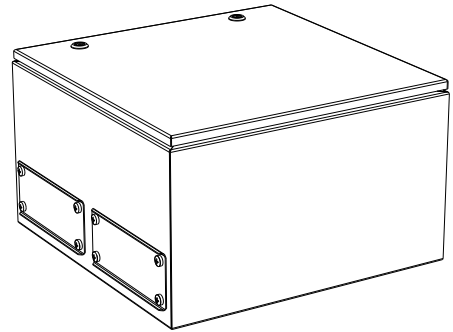
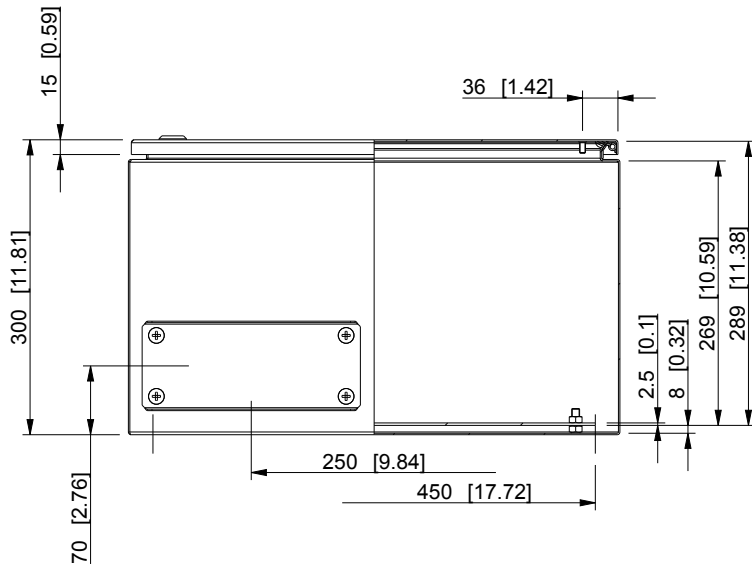


ID	Description	Date	By	Appr.
A				



Flange opening, type 2 (C/FL21)

Dimensions in mm [inches]

Material: Mild steel, polyester painted	Color: RAL 7035
---	-----------------

Supplier: -	Tool No: -	Weight [kg]: 18.21	Volume: -
-------------	------------	--------------------	-----------

<b>CASEMET</b> Casemet Oy		<b>EFEF505030A</b>	Replaces:
			Replaced:
			Drw No: A
			Ref: Cubo E
			Code: EFEF505030A
			Sheet No:

model EFEF505030A PART  
drawing EFEF\_2\_DRAWING

Scale	Date	07.07.16
2:15	By	PLe
-	Checked	
-	Ctrl	