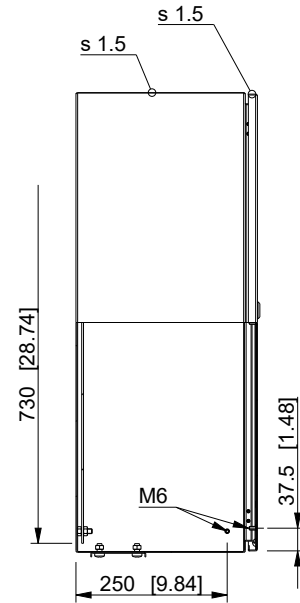
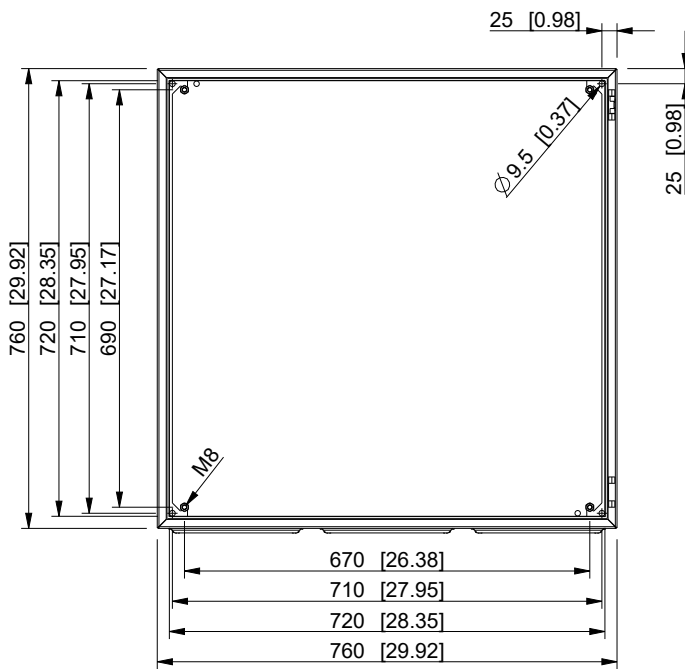
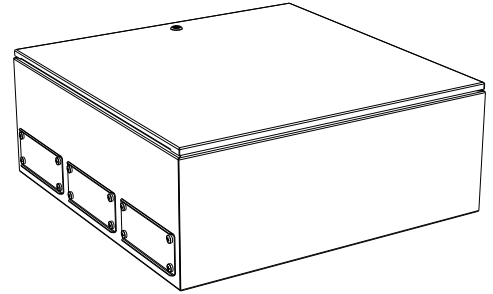
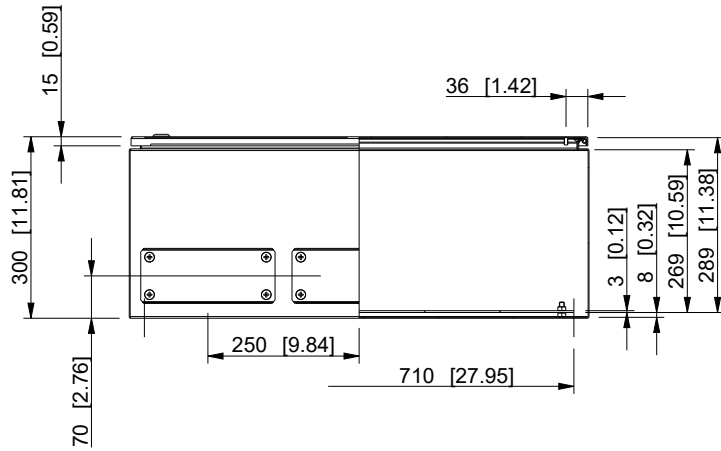


ID	Description	Date	By	Appr.
A				



Flange opening, type 2 (C/FL21)

Dimensions in mm [inches]

Material: Mild steel, polyester painted	Color: RAL7035
---	----------------

Supplier: -	Tool No: -	Weight [kg]: 38.18	Volume: 0
-------------	------------	--------------------	-----------

model EFEF767630A PART drawing EFEF_3 DRAWING			<h1>EFEF767630A</h1>	Replaces:	
	Casemet Oy			Replaced:	
	Scale	Date		17.12.17	Drw No: A
	1:12	By		PL/VLe	Ref: Cubo E
	-	Checked			Code: EFEF767630A
-	Ctrl		Sheet No:		