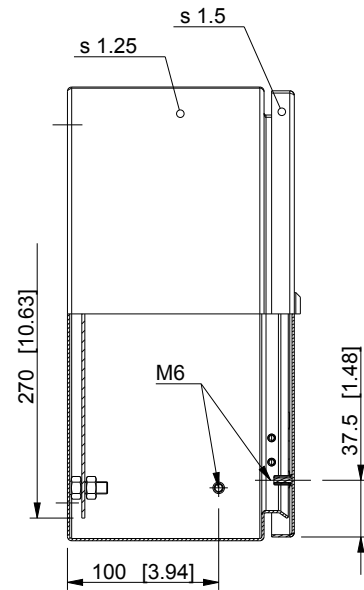
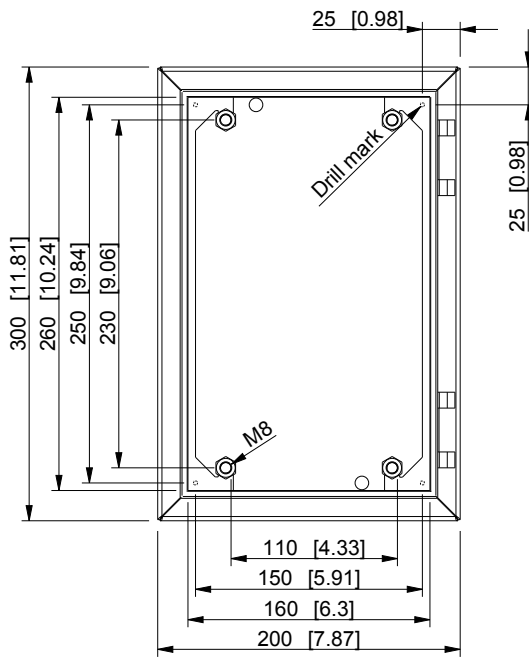
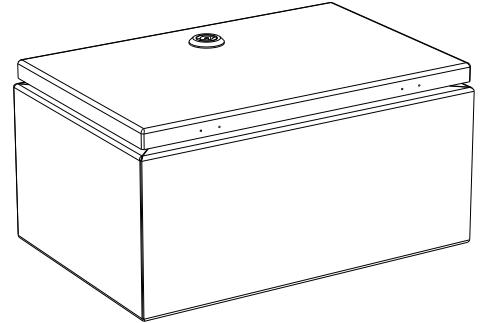
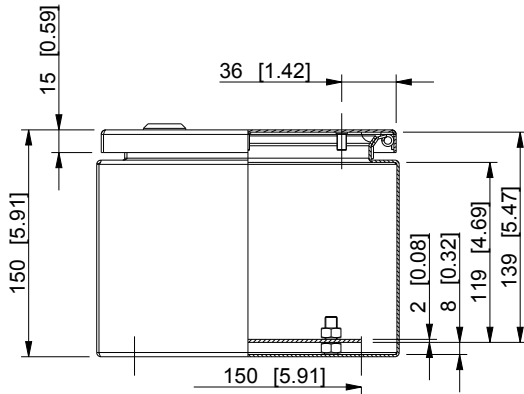


ID	Description	Date	By	Appr.
A				



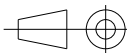
Dimensions in mm [inches]

Material: Stainless steel, AISI 304	Color: -
-------------------------------------	----------

Supplier: -	Tool No: -	Weight [kg]: 4.20	Volume: -
-------------	------------	-------------------	-----------

CASEMET

Casemet Oy



ESSP203015

Scale: 1:5 Date: 15.06.16

By: VLe

Checked:

Ctrl:

Replaces:

Replaced:

Drw No: A

Ref: Cubo E

Code: ESSP203015

Sheet No:

model ESSP203015 PART

drawing ESSP DRAWING