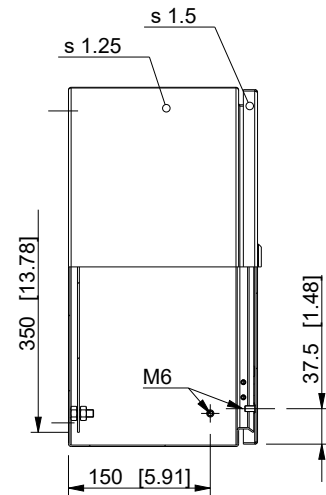
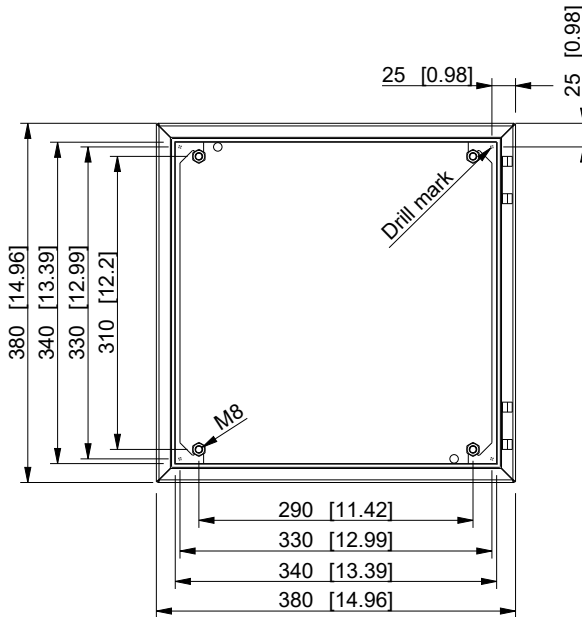
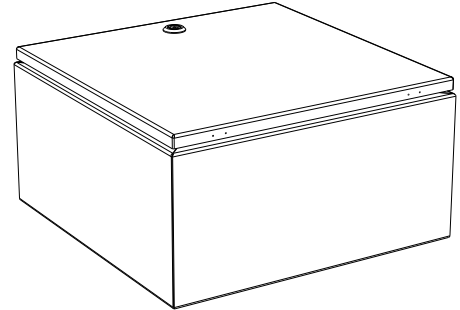
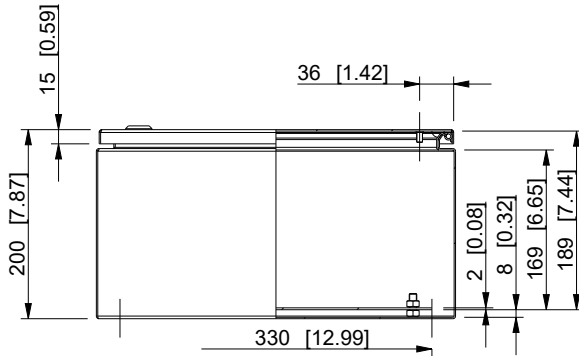


ID	Description	Date	By	Appr.
A				



Dimensions in mm [inches]

Material: Stainless steel, AISI 304	Color: -
-------------------------------------	----------

Supplier: -	Tool No: -	Weight [kg]: 9.30	Volume: 0
-------------	------------	-------------------	-----------

model ESSP383820 PART drawing ESSP DRAWING			<h1>ESSP383820</h1>	Replaces:	
	Casemet Oy			Replaced:	
	Scale	Date		15.12.17	Drw No: A
	1:8	By		VLe	Ref: Cubo E
	-	Checked			Code: ESSP383820
-	Ctrl		Sheet No:		