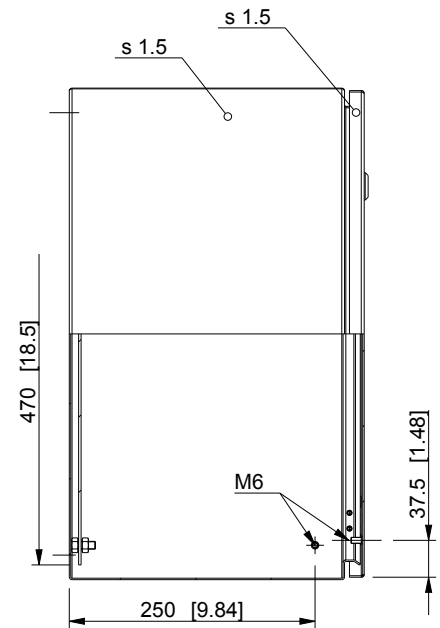
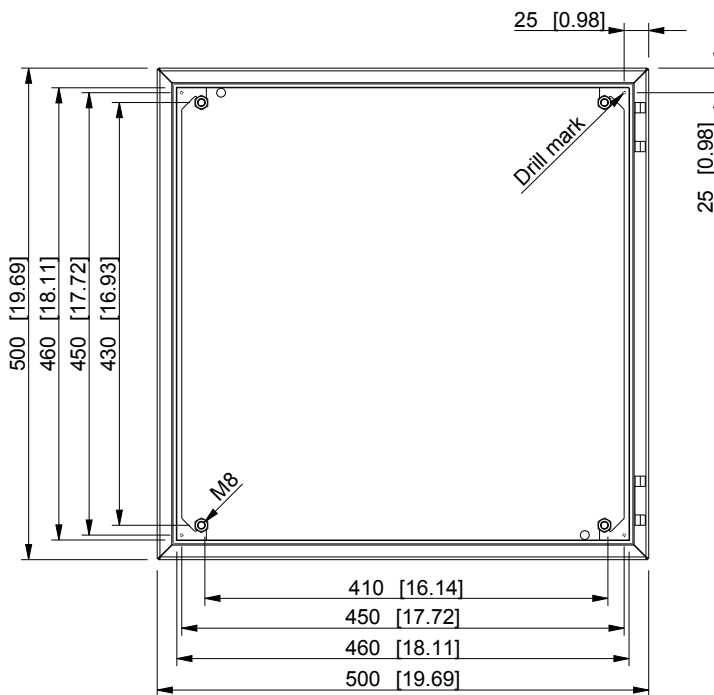
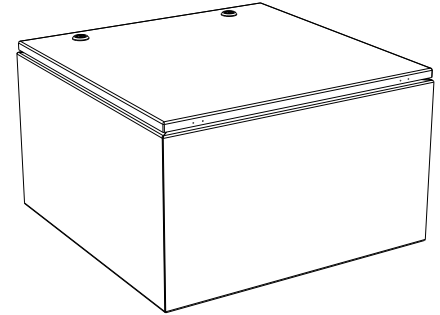
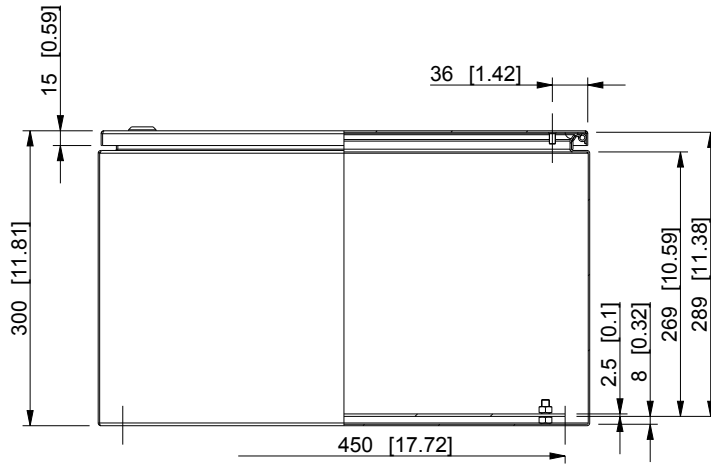


ID	Description	Date	By	Appr.
A				



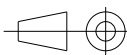
Dimensions in mm [inches]

Material: Stainless steel, AISI 304	Color: -
-------------------------------------	----------

Supplier: -	Tool No: -	Weight [kg]: 17.79	Volume: -
-------------	------------	--------------------	-----------

**CASEMET**

Casemet Oy



ESSP505030

Scale	Date	15.06.16
2:15	By	VLe
-	Checked	
-	Ctrl	

Replaces:	
Replaced:	
Drw No:	A
Ref:	Cubo E
Code:	ESSP505030
Sheet No:	

model ESSP505030 PART

drawing ESSP\_1 DRAWING