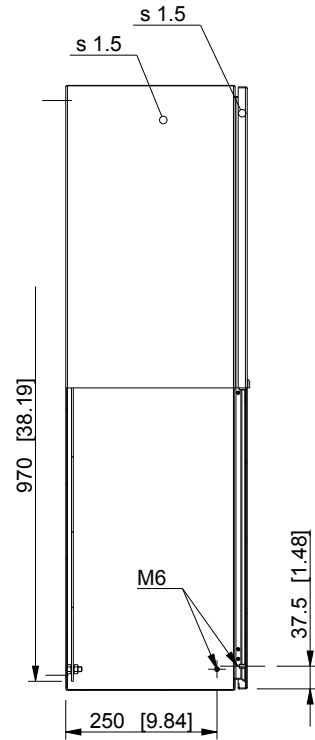
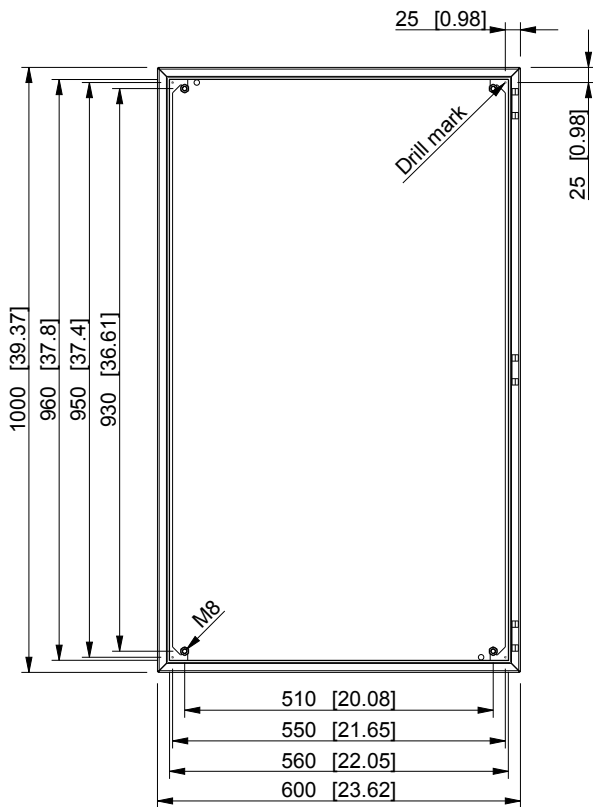
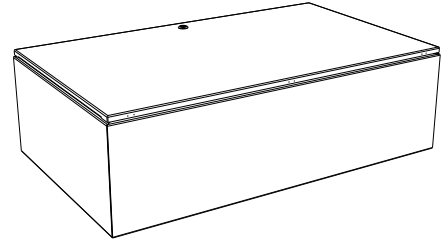
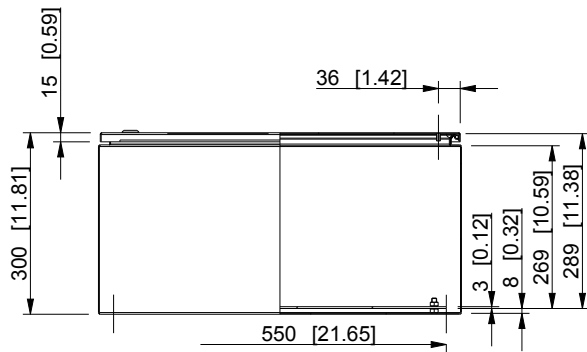


ID	Description	Date	By	Appr.
A				



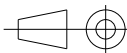
Dimensions in mm [inches]

Material: Stainless steel, AISI 304	Color: -
-------------------------------------	----------

Supplier: -	Tool No: -	Weight [kg]: 39.03	Volume: -
-------------	------------	--------------------	-----------

CASEMET

Casemet Oy



ESSP6010030

Scale: 1:12 Date: 15.06.16

By: VLe

Checked:

Ctrl:

Replaces:

Replaced:

Drw No: A

Ref: Cubo E

Code: ESSP6010030

Sheet No:

model ESSP6010030 PART

drawing ESSP_1 DRAWING