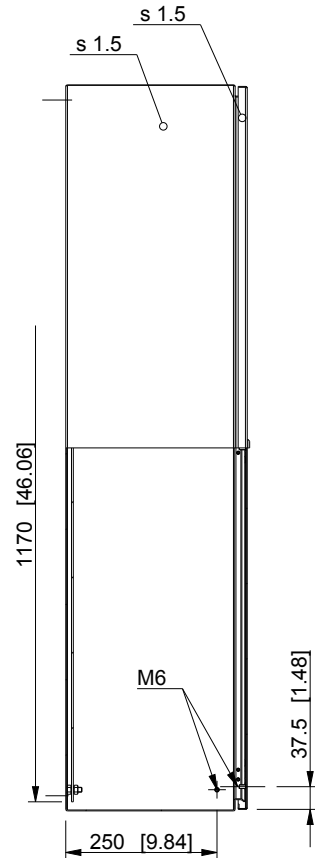
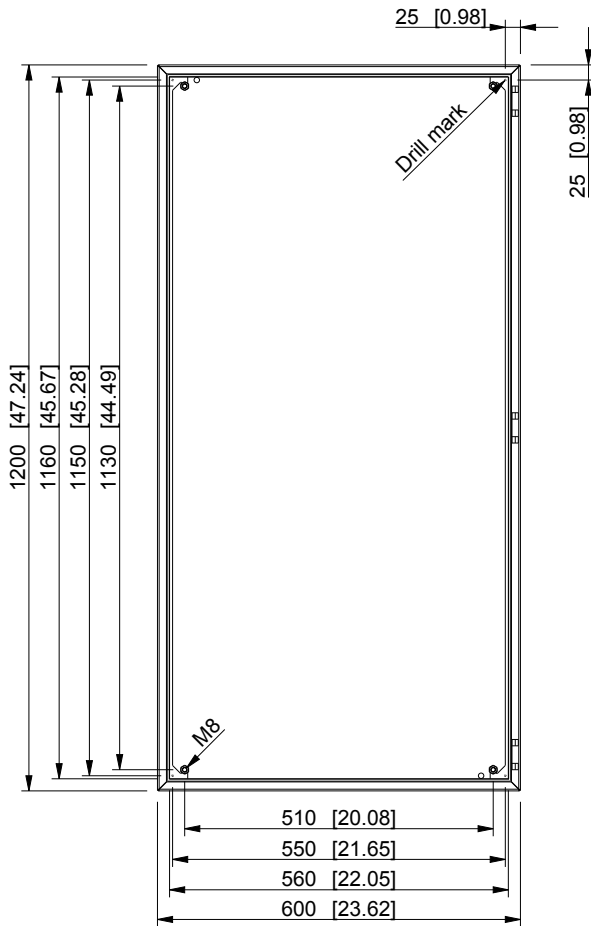
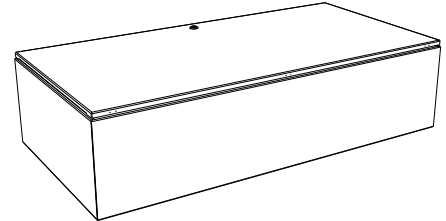
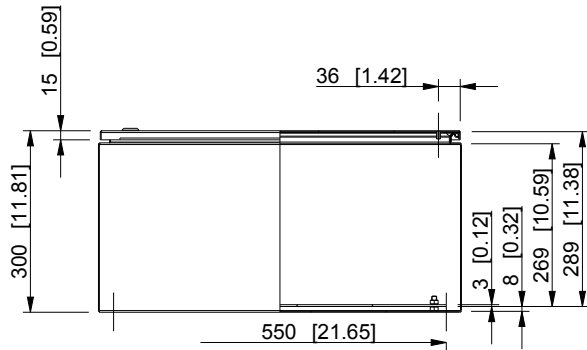


ID	Description	Date	By	Appr.
A				



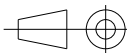
Dimensions in mm [inches]

Material: Stainless steel, AISI 304	Color: -
-------------------------------------	----------

Supplier: -	Tool No: -	Weight [kg]: 45.96	Volume: -
-------------	------------	--------------------	-----------

CASEMET

Casemet Oy



ESSP6012030

Scale Date 15.06.16

1:12 By VLe

- Checked

- Ctrl

Replaces:

Replaced:

Drw No: A

Ref: Cubo E

Code: ESSP6012030

Sheet No:

model ESSP6012030 PART

drawing ESSP_1 DRAWING