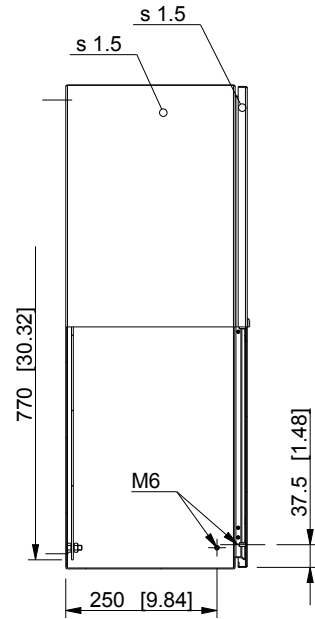
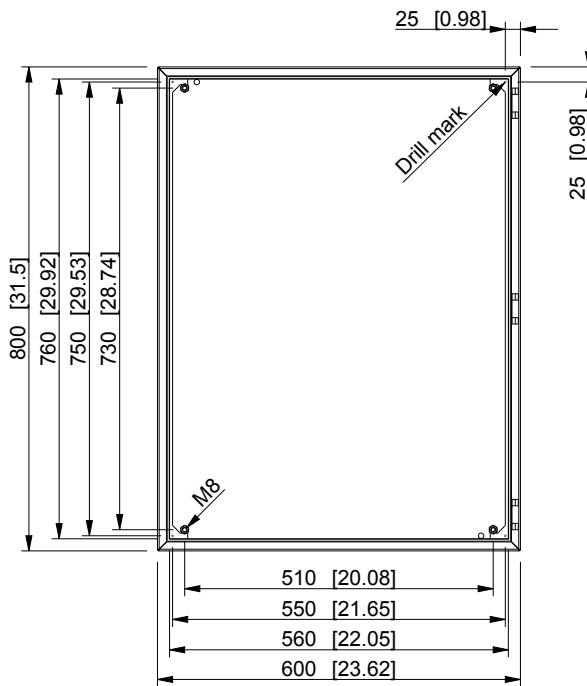
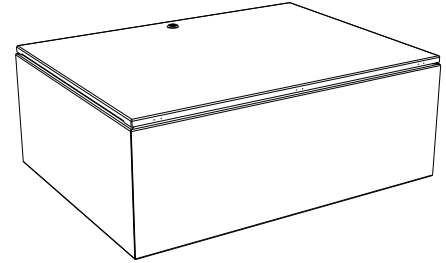
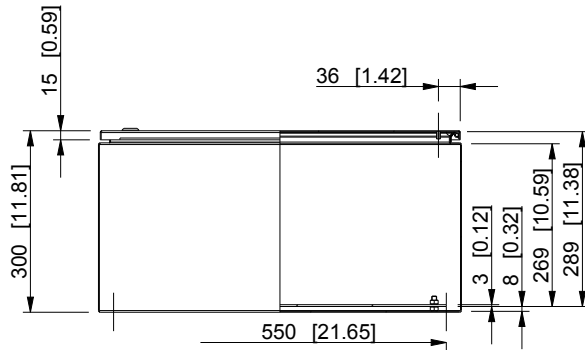


ID	Description	Date	By	Appr.
A				



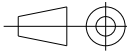
Dimensions in mm [inches]

Material: Stainless steel, AISI 304	Color: -
-------------------------------------	----------

Supplier: -	Tool No: -	Weight [kg]: 32.10	Volume: -
-------------	------------	--------------------	-----------

CASEMET

Casemet Oy



ESSP608030

Scale	Date	15.06.16
-------	------	----------

1:12	By	VLe
------	----	-----

-	Checked	
---	---------	--

-	Ctrl	
---	------	--

Replaces:

Replaced:

Drw No: A

Ref: Cubo E

Code: ESSP608030

Sheet No:

model ESSP608030 PART

drawing ESSP_1 DRAWING