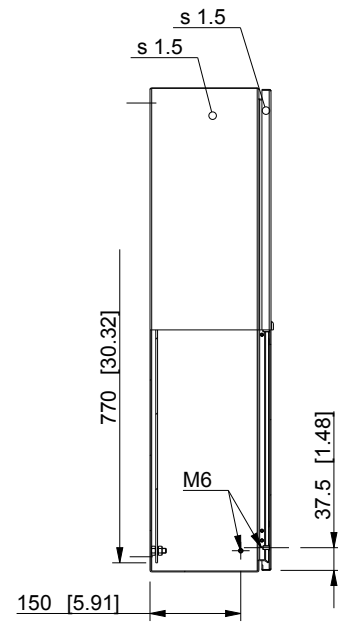
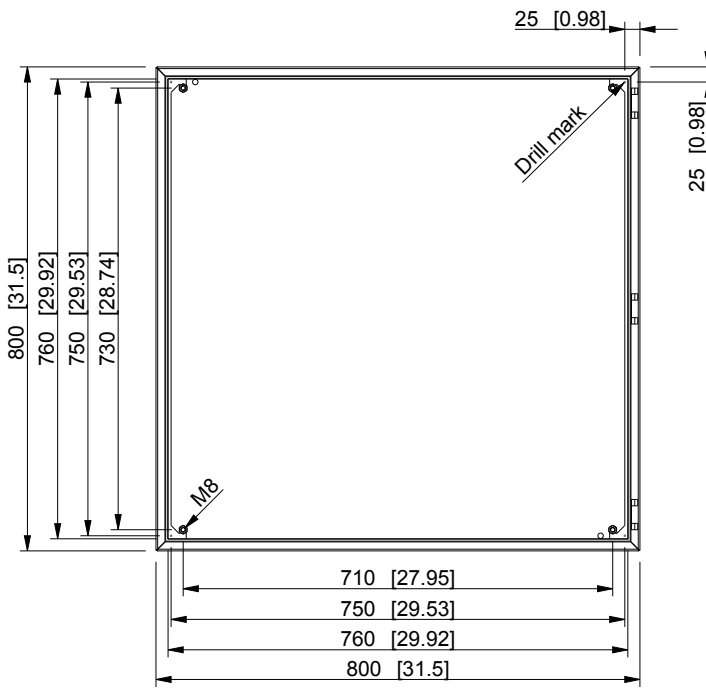
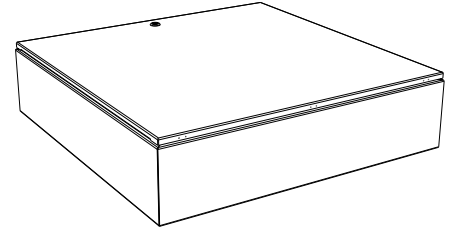
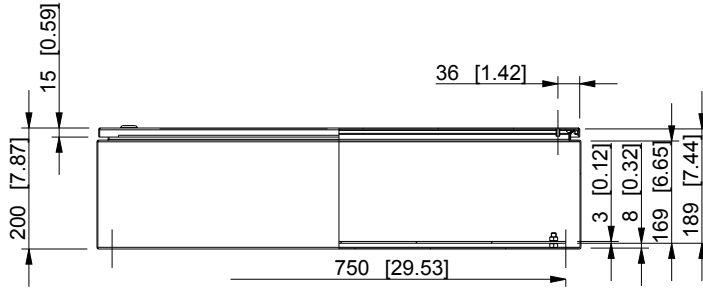


ID	Description	Date	By	Appr.
A				



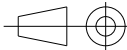
Dimensions in mm [inches]

Material: Stainless steel, AISI 304	Color: -
-------------------------------------	----------

Supplier: -	Tool No: -	Weight [kg]: 37.28	Volume: -
-------------	------------	--------------------	-----------

CASEMET

Casemet Oy



ESSP808020

Scale: 1:12 Date: 15.06.16

By: VLe

Checked: -

Ctrl: -

Replaces:	
Replaced:	
Drw No:	A
Ref:	Cubo E
Code:	ESSP808020
Sheet No:	

model ESSP808020 PART

drawing ESSP_1 DRAWING