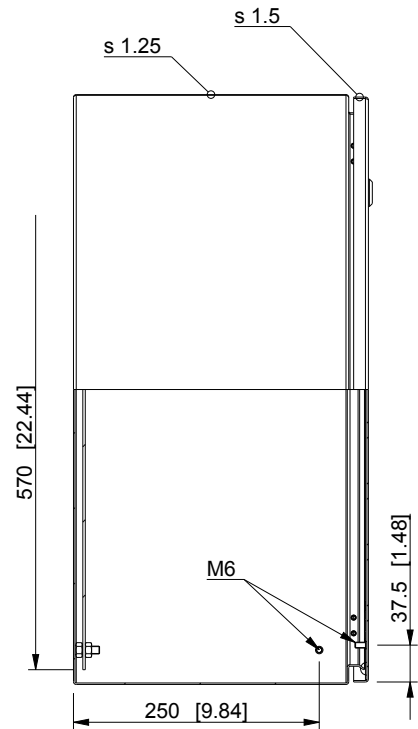
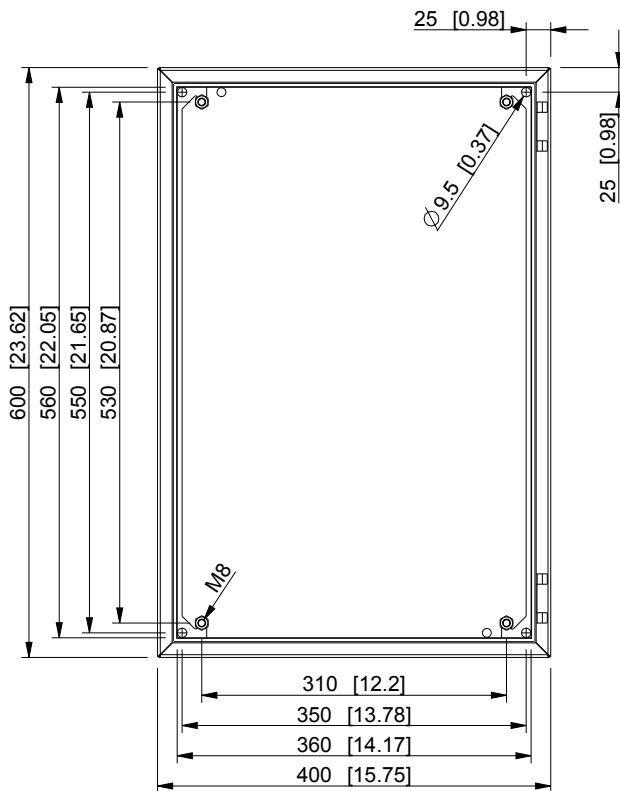
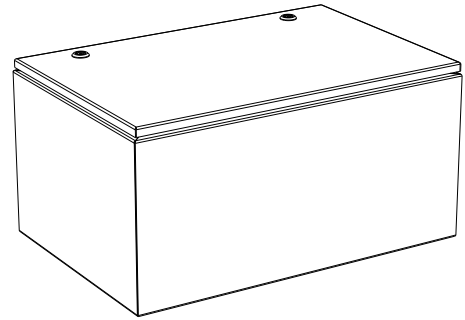
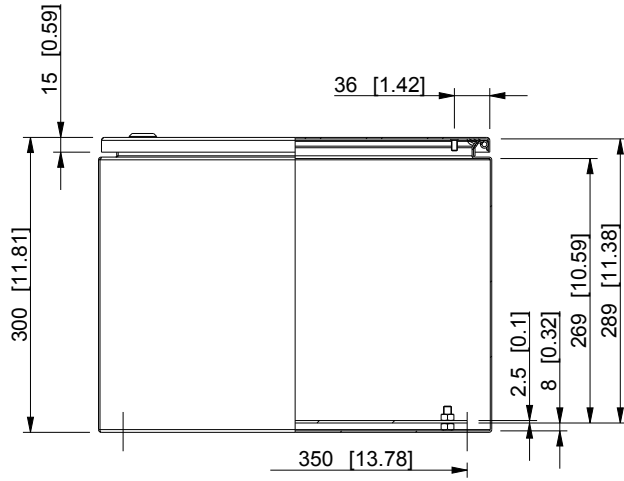


ID	Description	Date	By	Appr.
A				



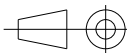
Dimensions in mm [inches]

Material: Mild steel, polyester painted	Color: RAL 7035
---	-----------------

Supplier: -	Tool No: -	Weight [kg]: 17.33	Volume: -
-------------	------------	--------------------	-----------

CASEMET

Casemet Oy



EFEP406030A

Scale: 2:15 Date: 07.07.16

By: PLe

Checked: -

Ctrl: -

Replaces: -

Replaced: -

Drw No: A

Ref: Cubo E

Code: EFEP406030A

Sheet No: -

model EFEP406030A PART

drawing EFEP DRAWING