

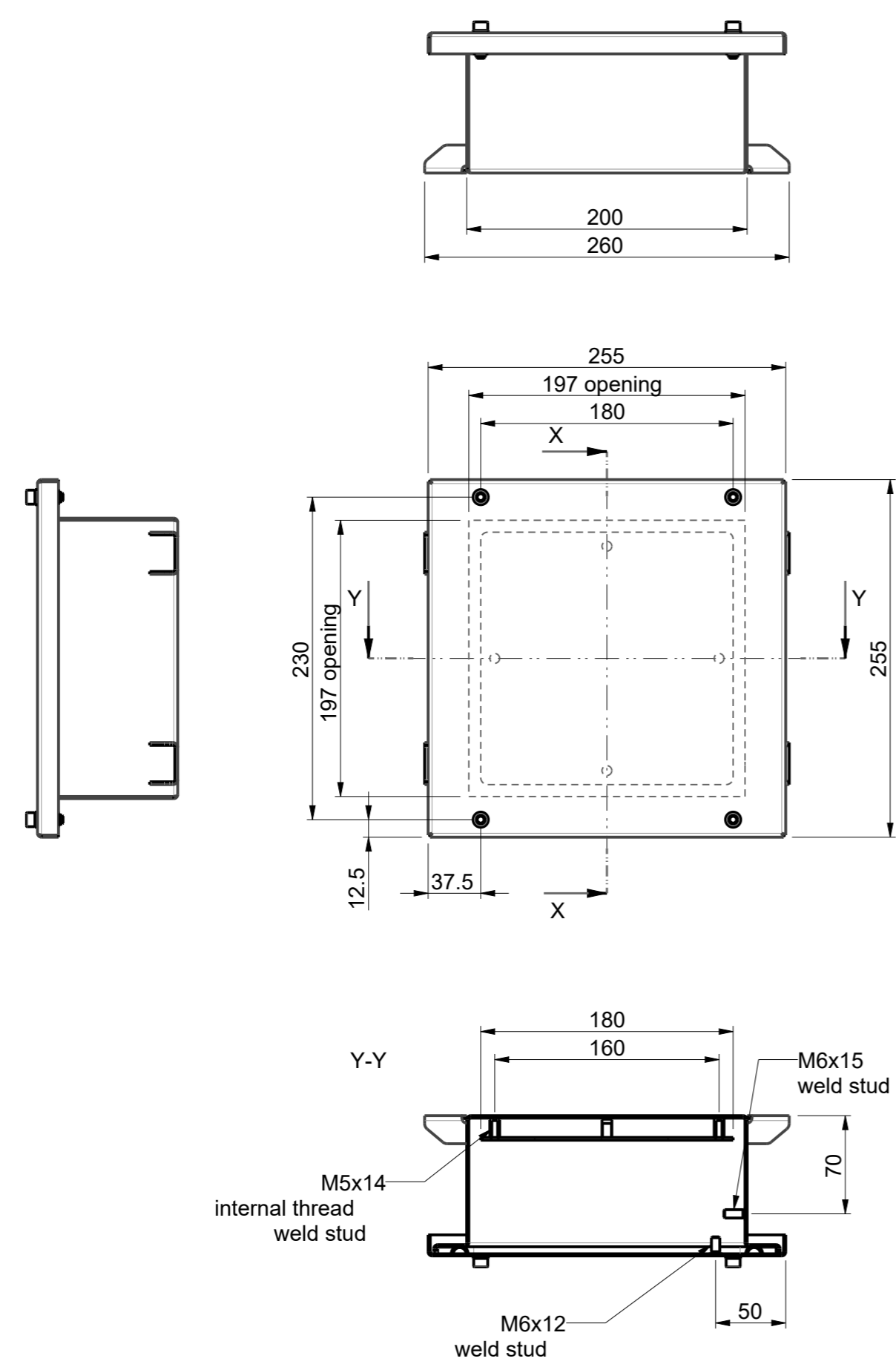
ISO 2768-C GENERAL TOLERANCES
LINEAR AND ANGULAR DIMENSIONS

DIN 6930-C STAMPED STEEL PARTS
FLAT SURFACES / BENDINGS

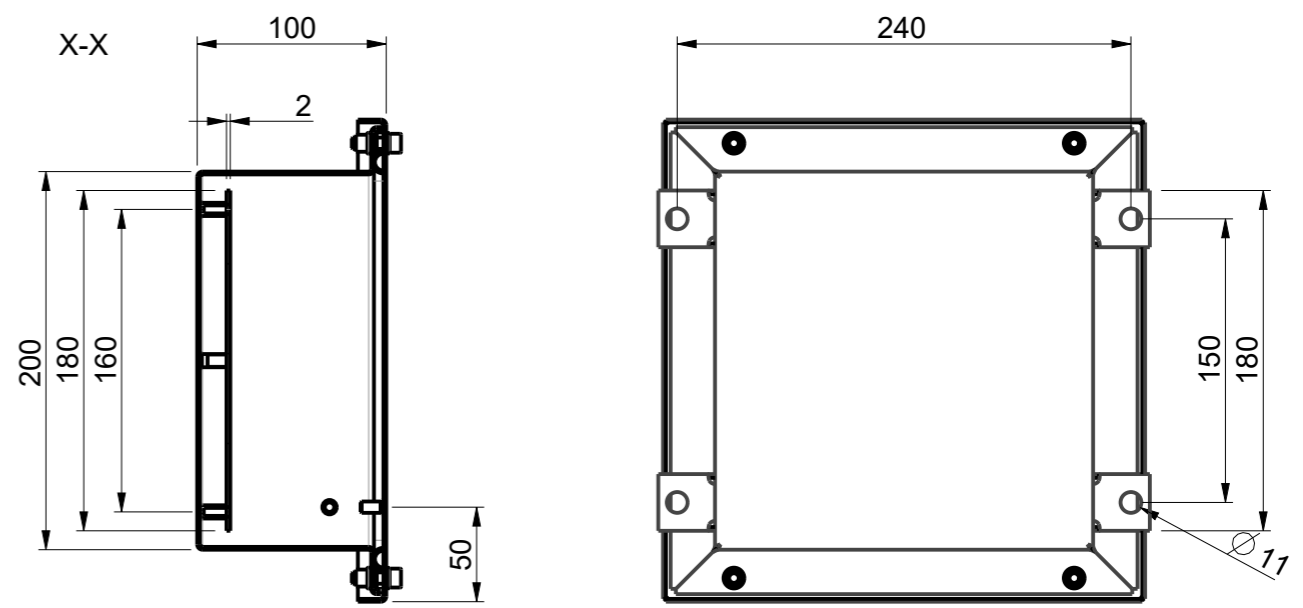
ISO 13920-BG WELDINGS
WELDED CONSTRUCTIONS

Model
Drawing VFEP202010A.dwg

1 2 3 4 5 6 7 8



ID	Description	Date	By	Appr.
A	1.	23.7.18	PLe	



Part	Code	Description	Pcs	Weight [g/pcs]
5	PPE19203	Mounting Plate V2020	1	0
4	PPE19103	Lid VFE2020	1	0
3	PLF33	DIN912 M6x20 A4 hex socket screw	4	0
2	PUA84	DIN125 M6 A4 Washer	4	0
1	PPE19003	Base VFEP202010	1	0

Surface Treatment:		Color: RAL7035S	Weight [g]	2000
Material: Mild steel		Casemet Material:		
 Casemet Oy		 Enclosure VFEP202010A		Replaces: Replaced: Drw No: A Ref: Cubo V Code: VFEP202010A
Scale	Date	23.7.18		
1:4	By	PLe		
A3	Checked			
Sheet No: 1 (1)	Ctrl			