

ISO 2768-C GENERAL TOLERANCES
LINEAR AND ANGULAR DIMENSIONS

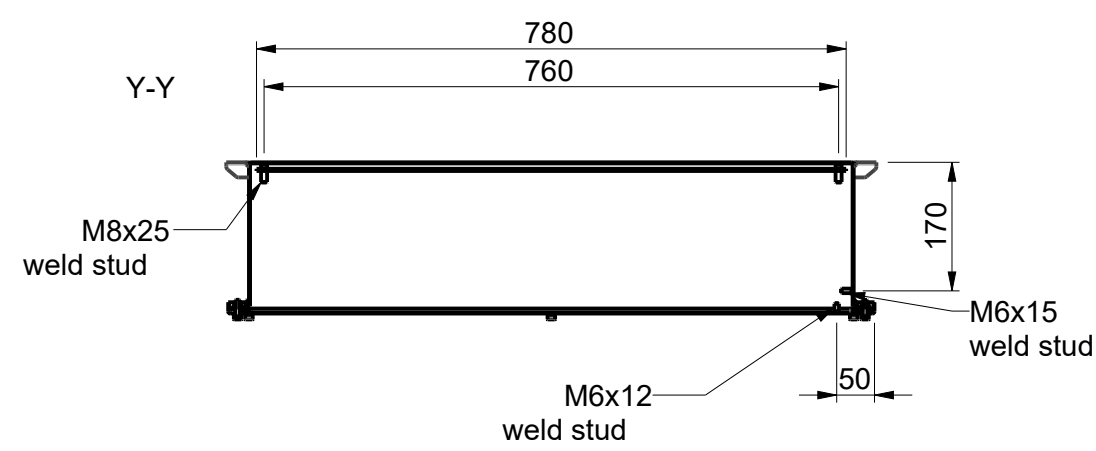
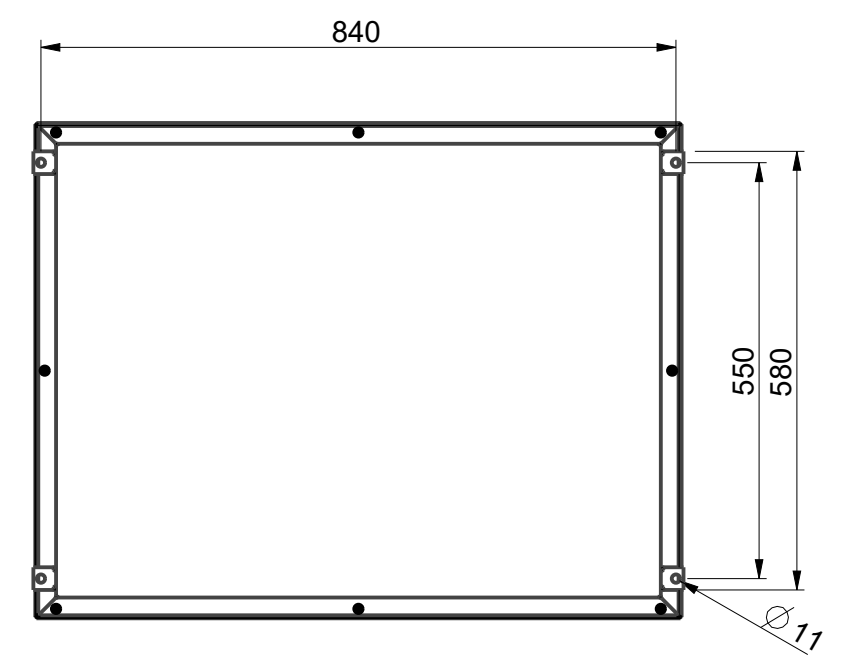
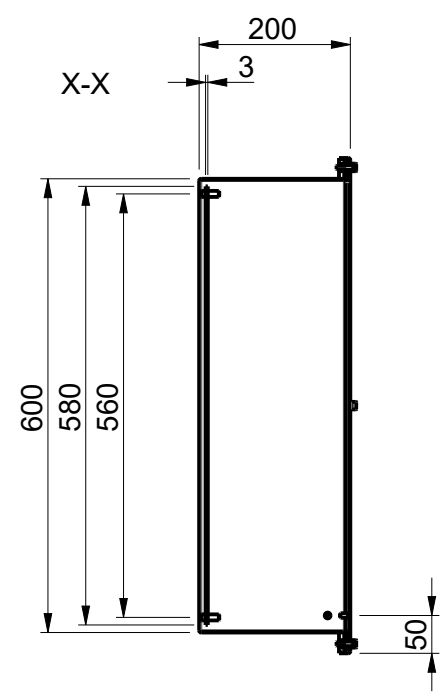
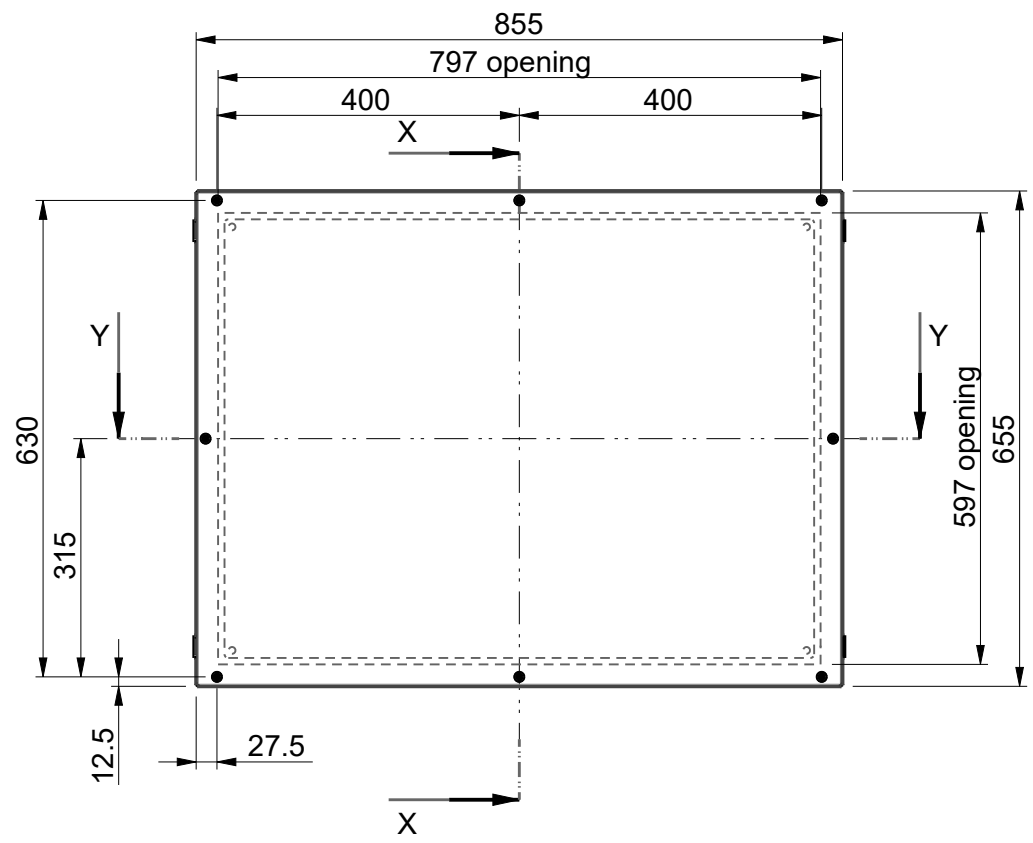
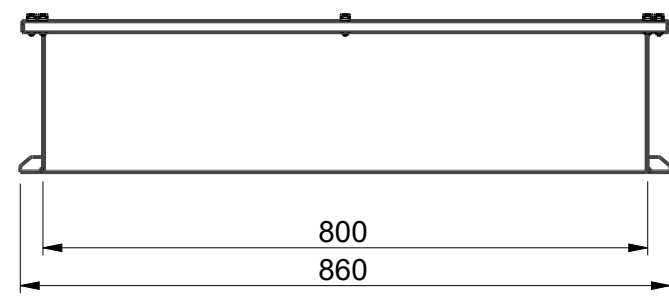
DIN 6930-C STAMPED STEEL PARTS
FLAT SURFACES / BENDINGS

ISO 13920-BG WELDINGS
WELDED CONSTRUCTIONS

Model
Drawing VFEP806020A.dwg

1 2 3 4 5 6 7 8

ID	Description	Date	By	Appr.
A	1.	23.7.18	PLe	



Part	Code	Description	Pcs	Weight [g/pcs]
5	PPE19223	Mounting Plate V8060	1	0
4	PPE19123	Lid VFE8060	1	0
3	PLF33	DIN912 M6x20 A4 hex socket screw	8	0
2	PUA84	DIN125 M6 A4 Washer	8	0
1	PPE19023	Base VFEP806020	1	0

Surface Treatment:	Color: RAL7035S	Weight [g]	24000
Material: Mild steel	Casemet Material:		

			Enclosure VFEP806020A	Replaces:
Casemet Oy				Replaced:
Scale	Date			Drw No:
1:10	23.7.18	A	Ref: Cubo V	
A3	By: PLe		Code: VFEP806020A	
Sheet No: 1 (1)	Checked:			
	Ctrl:			