

ISO 2768-C GENERAL TOLERANCES
LINEAR AND ANGULAR DIMENSIONS

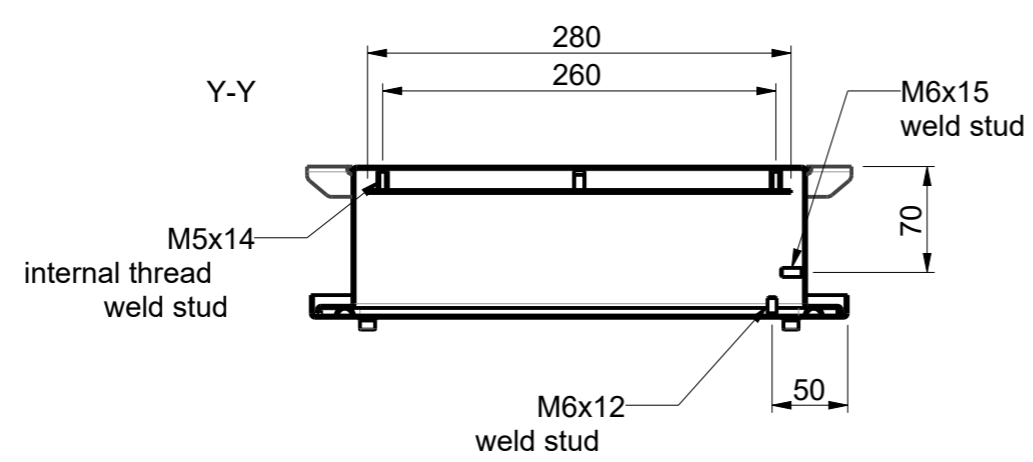
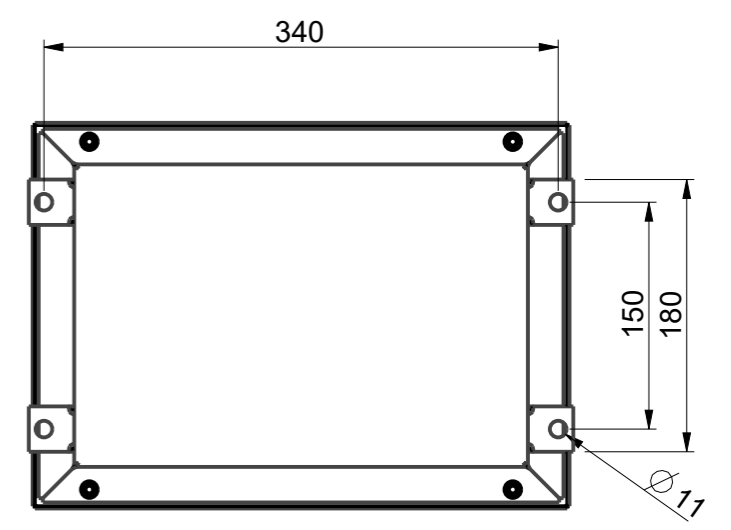
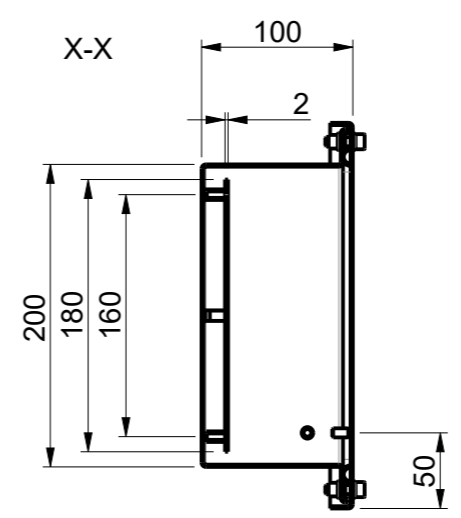
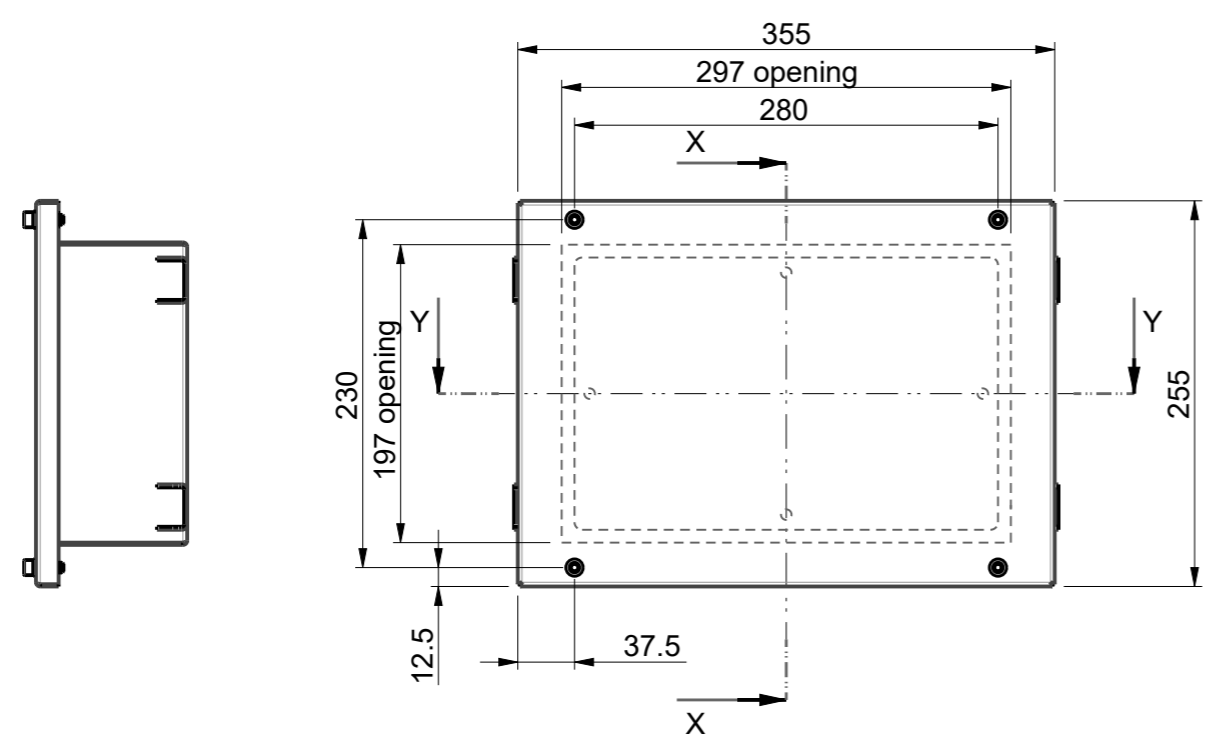
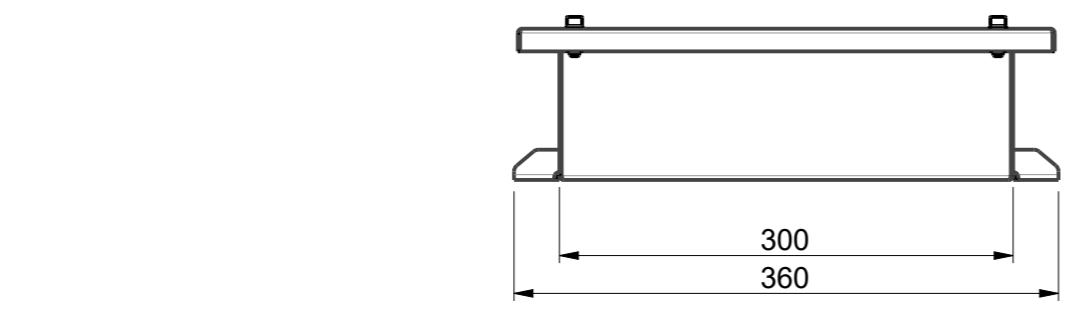
DIN 6930-C STAMPED STEEL PARTS
FLAT SURFACES / BENDINGS

ISO 13920-BG WELDINGS
WELDED CONSTRUCTIONS

Model
Drawing VSSP302010.dwg

1 2 3 4 5 6 7 8

ID	Description	Date	By	Appr.
A	1.	23.7.18	PLe	



Part	Code	Description	Pcs	Weight [g/pcs]
5	PPE19204	Mounting Plate V3020	1	0
4	RST12104	Lid VSS3020	1	0
3	PLF33	DIN912 M6x20 A4 hex socket screw	4	0
2	PUA84	DIN125 M6 A4 Washer	4	0
1	RST12004	Base VSSP302010	1	0

Surface Treatment:		Color: -		Weight [g]	3000
Material: Stainless steel		Casemet Material:			
CASEMET Casemet Oy		 Enclosure VSSP302010		Replaces:	
Scale: 1:5				Replaced:	
Date: 23.7.18				Drw No: A	
By: PLe				Ref: Cubo V	
Checked:		Code: VSSP302010			
Sheet No: 1 (1)		Ctrl:			