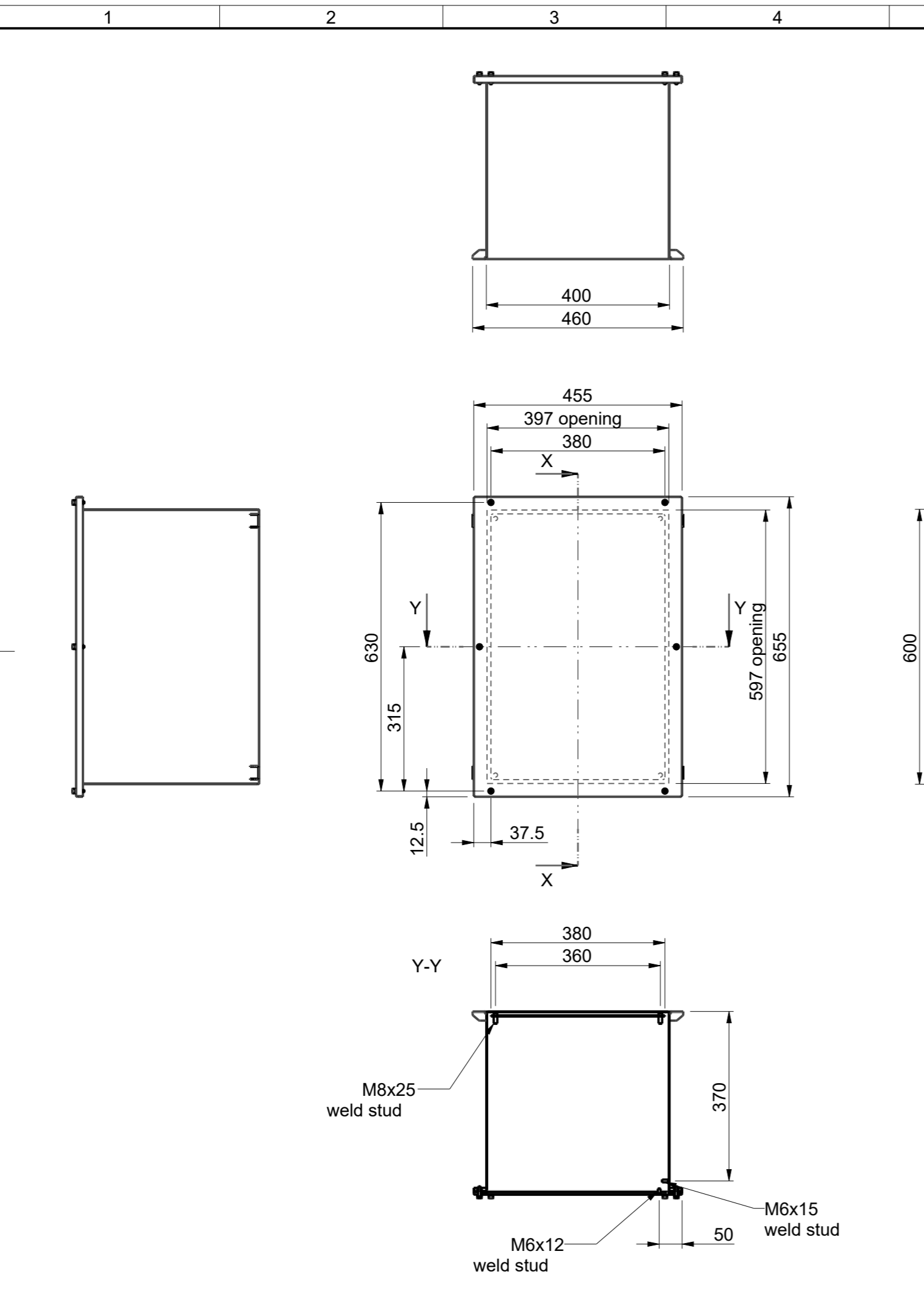


ISO 2768-C GENERAL TOLERANCES  
LINEAR AND ANGULAR DIMENSIONS

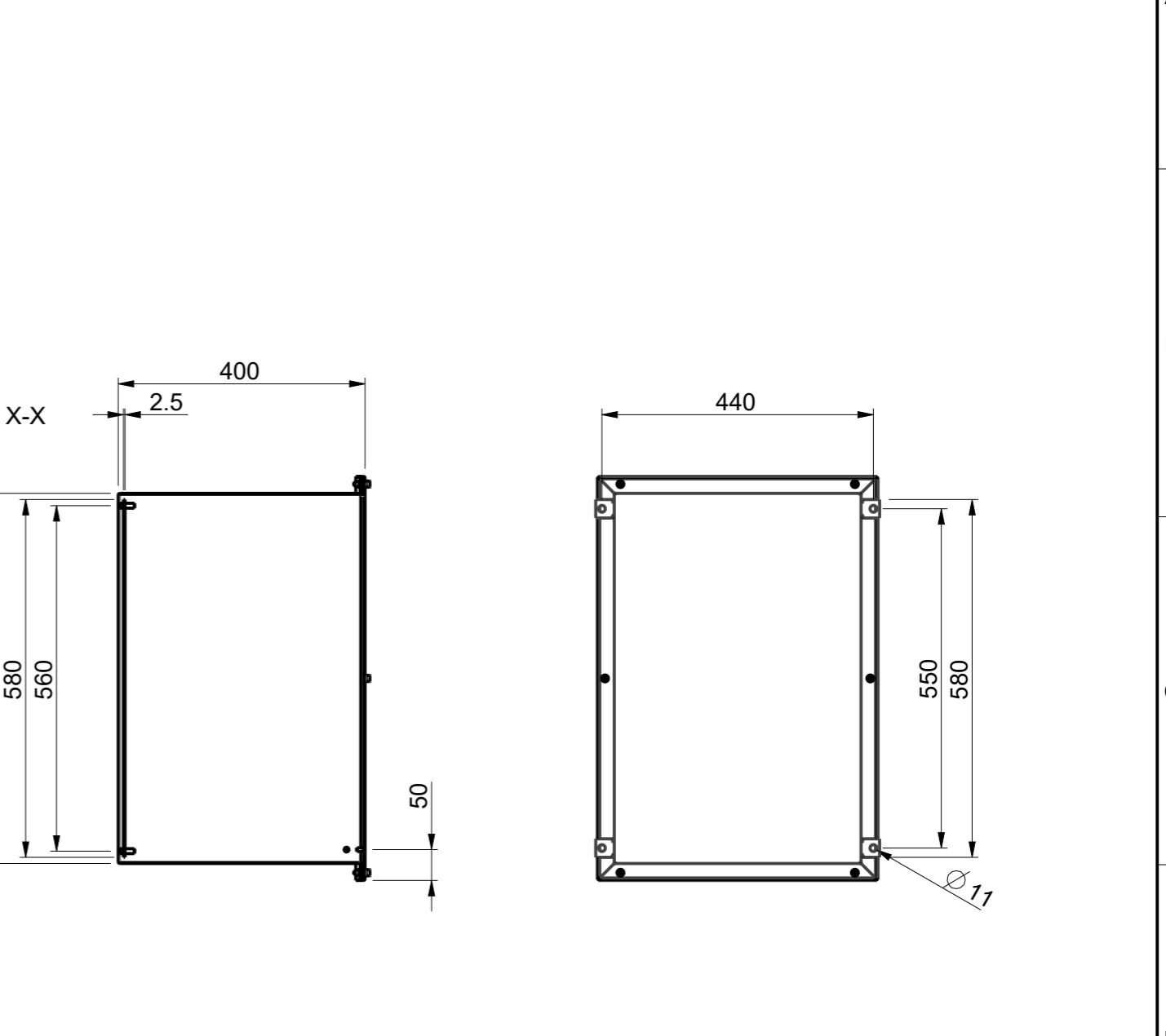
DIN 6930-C STAMPED STEEL PARTS  
FLAT SURFACES / BENDINGS

ISO 13920-BG WELDINGS  
WELDED CONSTRUCTIONS

Model Drawing VSSP406040.dwg



ID	Description	Date	By	Appr.
A	1.	23.7.18	PLe	



Part	Code	Description	Pcs	Weight [g/pcs]
5	PPE19214	Mounting Plate V4060	1	0
4	RST12114	Lid VSS4060	1	0
3	PLF33	DIN912 M6x20 A4 hex socket screw	6	0
2	PUA84	DIN125 M6 A4 Washer	6	0
1	RST12016	Base VSSP406040	1	0

Surface Treatment:		Color: -		Weight [g]	17000
Material: Stainless steel		Casemet Material:			
<b>CASEMET</b> Casemet Oy				Enclosure VSSP406040	
Scale	Date	Replaces:			
1:10	23.7.18	Replaced:			
A3	By PLe	Drw No: A			
Sheet No: 1 (1)	Checked	Ref: Cubo V			
	Ctrl	Code: VSSP406040			