

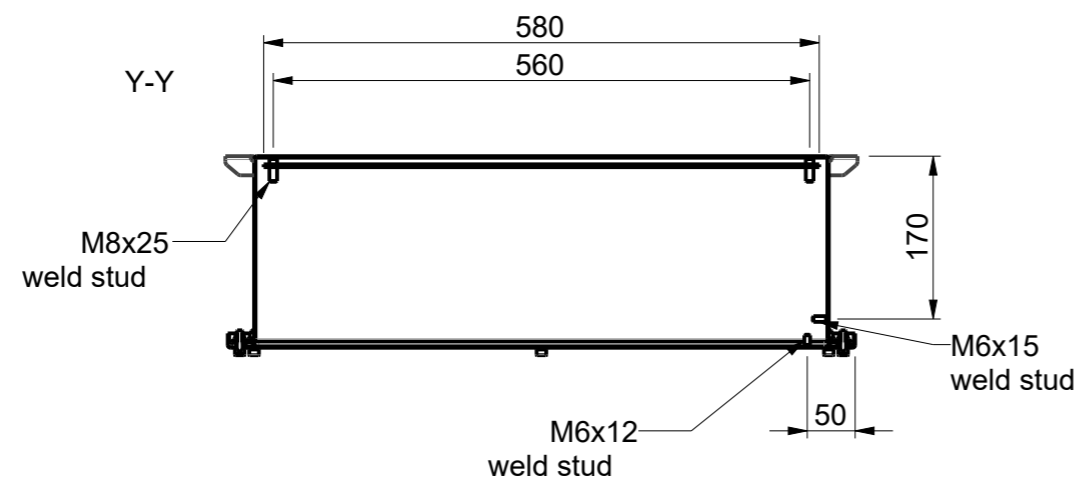
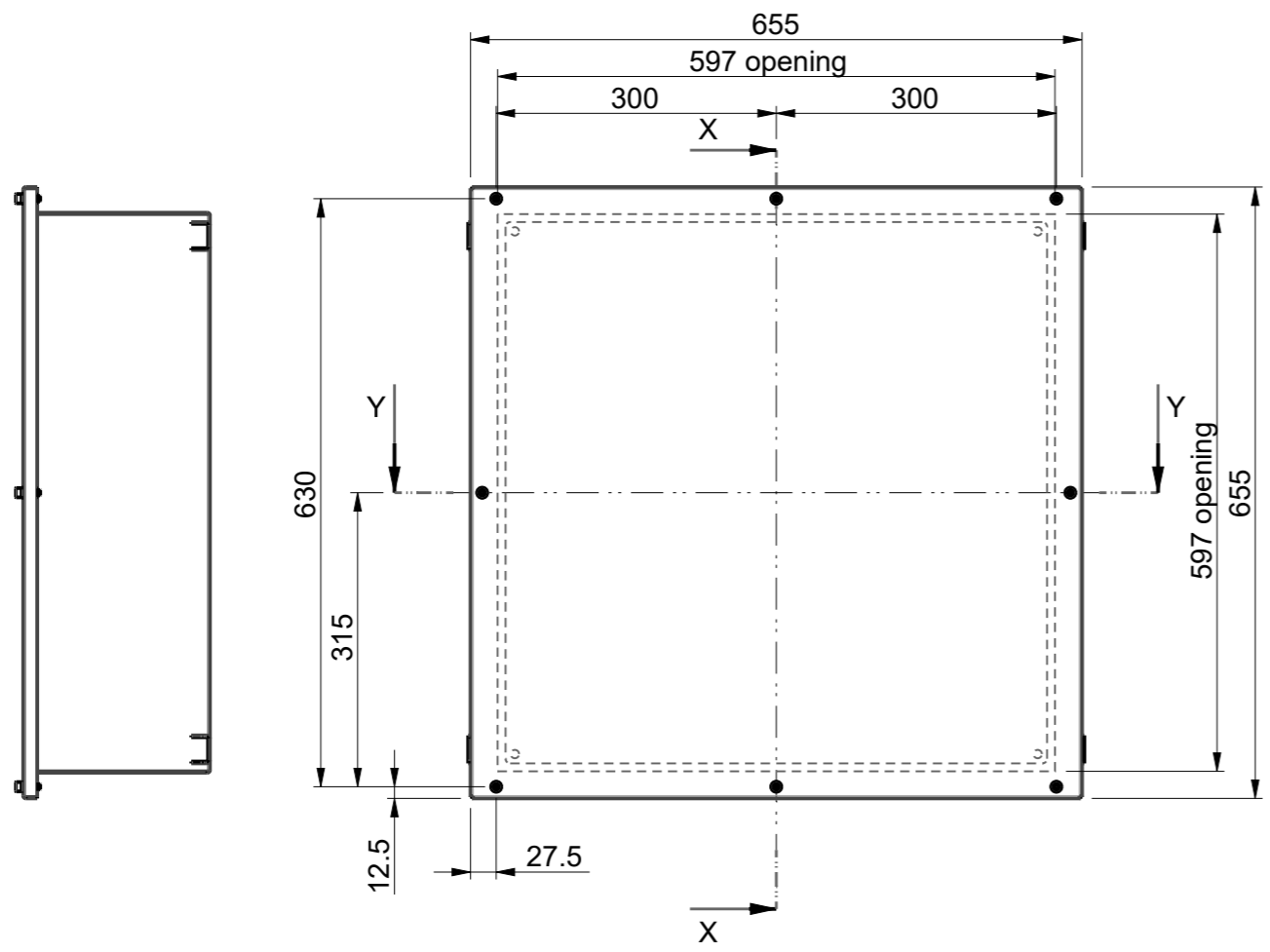
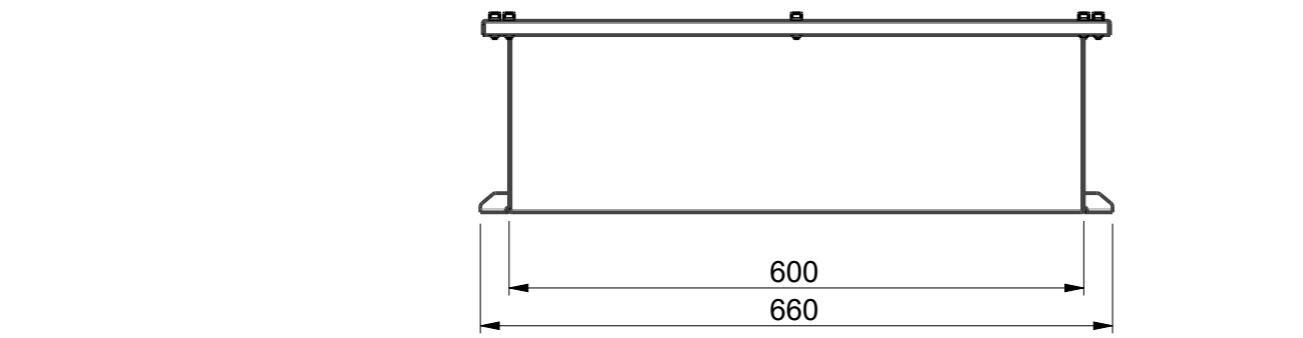
ISO 2768-C GENERAL TOLERANCES
LINEAR AND ANGULAR DIMENSIONS

DIN 6930-C STAMPED STEEL PARTS
FLAT SURFACES / BENDINGS

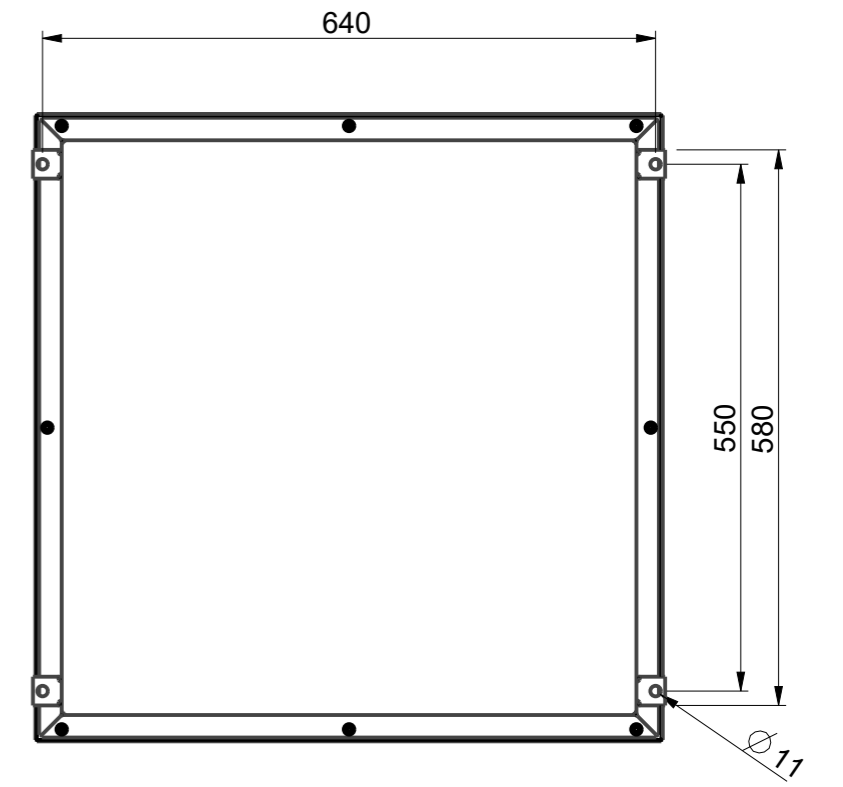
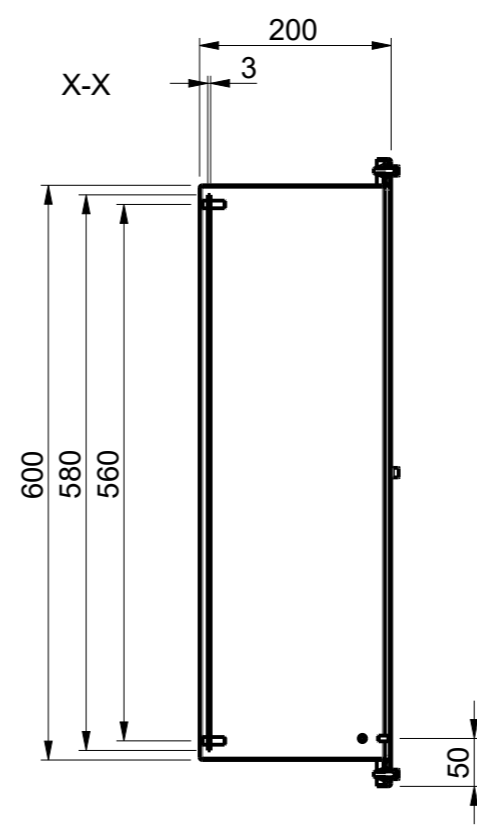
ISO 13920-BG WELDINGS
WELDED CONSTRUCTIONS

Model
Drawing VSSP606020.dwg

1 2 3 4 5 6 7 8



ID	Description	Date	By	Appr.
A	1.	23.7.18	PLe	



Part	Code	Description	Pcs	Weight [g/pcs]
5	PPE19220	Mounting Plate V6060	1	0
4	RST12120	Lid VSS6060	1	0
3	PLF33	DIN912 M6x20 A4 hex socket screw	8	0
2	PUA84	DIN125 M6 A4 Washer	8	0
1	RST12020	Base VSSP606020	1	0

Surface Treatment:	Color: -	Weight [g]	22000
Material: Stainless steel	Casemet Material:		

			Enclosure VSSP606020	Replaces:
Casemet Oy				Replaced:
Scale	Date	23.7.18	Drw No: A	Ref:
19:150	By	PLe		Cubo V
A3	Checked			Code: VSSP606020
Sheet No: 1 (1)	Ctrl			