

ISO 2768-C GENERAL TOLERANCES
LINEAR AND ANGULAR DIMENSIONS

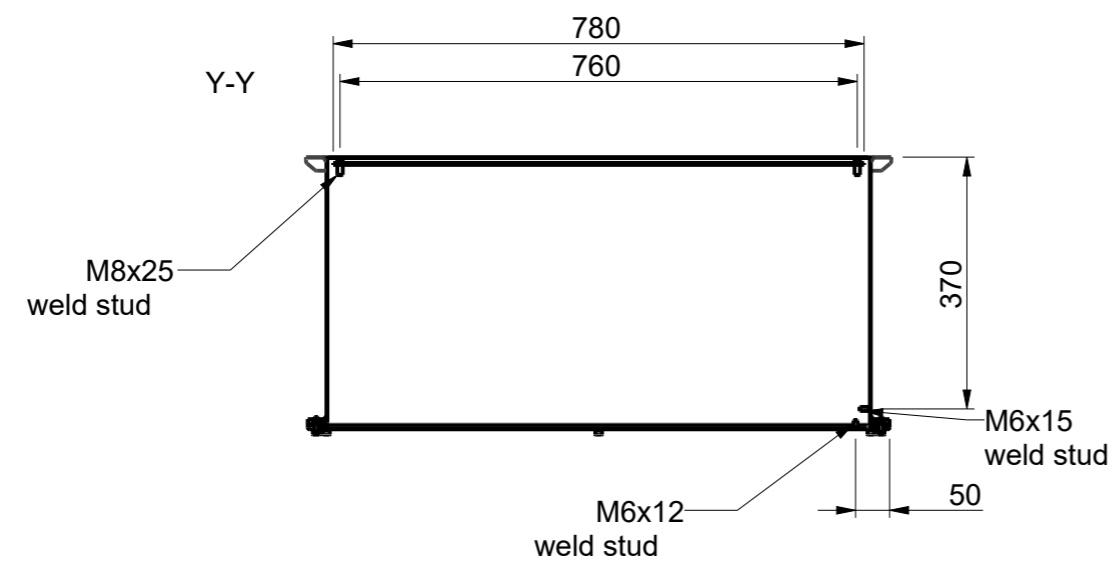
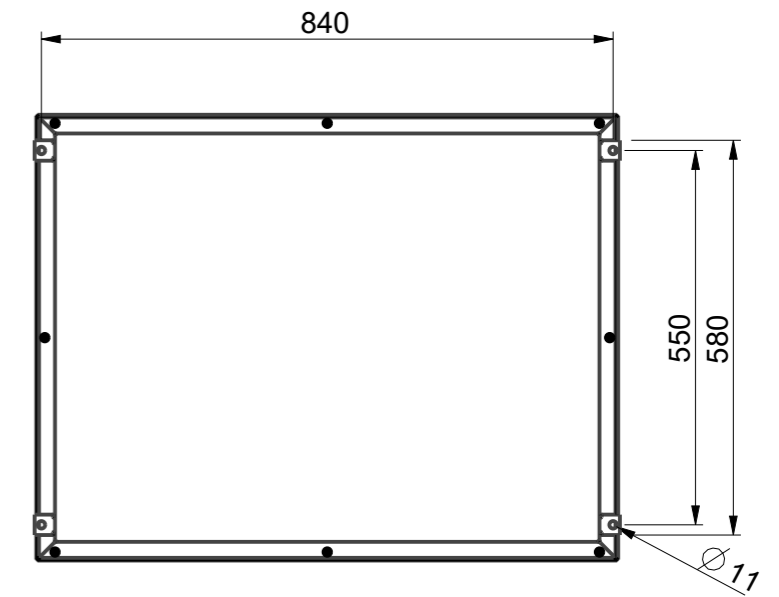
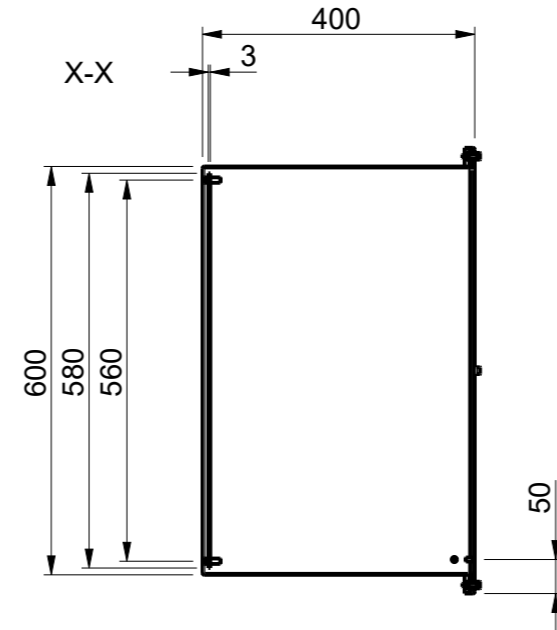
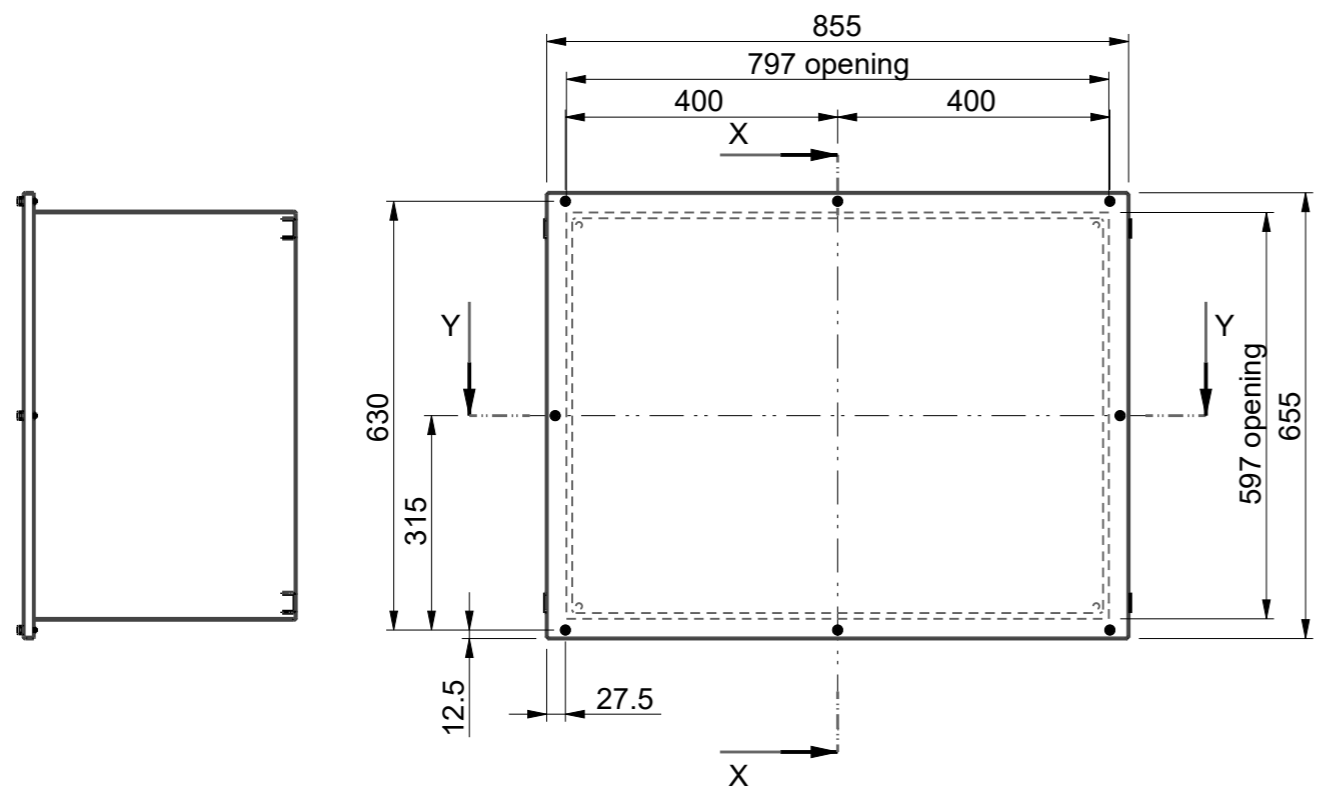
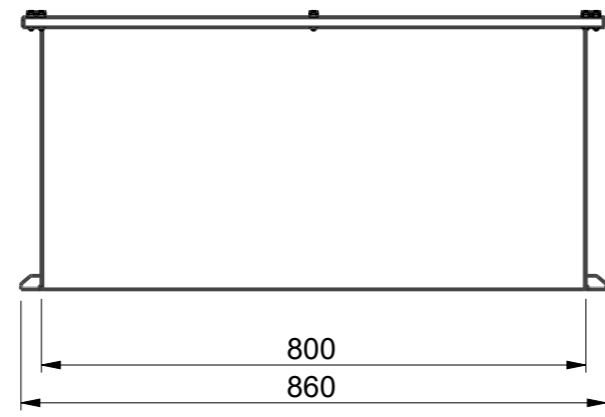
DIN 6930-C STAMPED STEEL PARTS
FLAT SURFACES / BENDINGS

ISO 13920-BG WELDINGS
WELDED CONSTRUCTIONS

Model
Drawing VSSP806040.dwg

1 2 3 4 5 6 7 8

ID	Description	Date	By	Appr.
A	1.	23.7.18	PLe	



Part	Code	Description	Pcs	Weight [g/pcs]
5	PPE19223	Mounting Plate V8060	1	0
4	RST12123	Lid VSS8060	1	0
3	PLF33	DIN912 M6x20 A4 hex socket screw	8	0
2	PUA84	DIN125 M6 A4 Washer	8	0
1	RST12025	Base VSSP806040	1	0

Surface Treatment:	Color: -	Weight [g]	28000
Material: Stainless steel	Casemet Material:		

			Enclosure VSSP806040	Replaces:
Scale	Date			Replaced:
9:100	23.7.18	By	A	Drw No:
A3	PLe	Checked		Ref:
Sheet No: 1 (1)	Ctrl		Code:	VSSP806040